



OWNER'S MANUAL MANUAL DEL USUARIO MANUEL DE L'UTILISATEUR

S/S 5 Burner Gas Grill with Sear Burner Parrilla de gas de 5 quemadores con quemador para sellar carne Barbecue à gaz 5 brûleurs avec brûleur de saisie



Outdoor Cooking Gas Appliances.
Master Number 211648



G49311 / GL5102S


**FOR YOUR SAFETY!
¡PARA SU SEGURIDAD!
POUR VOTRE SÉCURITÉ!**

Use outdoors only! Read the instructions before assembling and using the appliance.
¡Solo usa al aire libre! Lea las instrucciones antes de montar y utilizar el aparato.
Utilisez uniquement à l'extérieur! Lisez les instructions avant d'assembler et d'utiliser l'appareil.

**CONTACT US FIRST!
¡PÓNGASE EN CONTACTO CON NOSOTROS PRIMERO!
CONTACTEZ-NOUS D'ABORD!**

If you have any questions that are not addressed, please contact us first.
Si tiene alguna pregunta que no se aborde en este Manual del Usuario, póngase en contacto con nosotros primero.
Si vous avez des questions qui ne sont pas traitées dans ce manuel de l'utilisateur, contactez-nous d'abord.

Customer Service / Servicio al Cliente / Service de Clientèle

 1-470-589-8732

 service@feastooutdoors.com

www.feastooutdoors.com



READ MANUAL BEFORE USE

TABLE OF CONTENTS

For Your Safety	1-3
LP Tank	4-7
Operating Instructions	8-9
Cleaning and Maintenance	10
Troubleshooting Guide	11-12
Limited Warranty	13
Parts Diagram	40
Parts and Hardware List	41-43
Assembly	44-61

KEEP THIS MANUAL FOR FUTURE REFERENCE

This Owner's Manual contains important information necessary for the proper assembly and safe use of the appliance. Read and follow all warnings and instructions before assembling and using the appliance.

Call us first!

DO NOT return the grill to the retailer. This grill has been made to high quality standards. If you have any questions not addressed in this user's manual, or you need parts, please call our customer service at 1-470-589-8732.

SAFETY SYMBOLS

The symbols shown below explain what each heading means. Read and follow all of the messages found throughout the manual.



Indicates an imminently hazardous situation which, if not avoided, will result in death or serious injury.



Indicates a potentially hazardous situation which, if not avoided, could result in death or serious injury.



Indicates a potentially hazardous situation or unsafe practice which, if not avoided, may result in minor or moderate injury.

CAUTION

For residential use only. Do not use for commercial cooking.
 Read and follow all safety statements, assembly instructions, and use and care directions before attempting to assemble and cook.
 Some parts may contain sharp edges. Wear protective gloves if necessary.

- This outdoor cooking gas appliance must only be used outdoors and must not be used in a building, garage, or any other enclosed area.
- This outdoor cooking gas appliance is not intended to be installed in or on boats.
 Inspect the hose before each use of the outdoor cooking gas appliance. If it is evident that there is excessive abrasion or wear, or the hose is cut, it shall be replaced prior to the outdoor cooking gas appliance being put into operation. The replacement hose assembly shall be specified by the manufacturer.
- An outdoor cooking gas appliance indoors may be stored only if the cylinder(s) is (are) disconnected and removed from the outdoor cooking gas appliance.
- Cylinders shall be stored outdoors out of the reach of children and shall not be stored in a building, garage, or any other enclosed area;
- The pressure regulator and hose assembly supplied with the outdoor cooking gas appliance must be used. Replacement pressure regulators and hose assemblies shall be those specified by the outdoor cooking gas appliance manufacturer.

Minimum ambient operating temperature:
 0°F(-18°C)

Grease Fires

- Putting out grease fires by closing the lid is not possible. Grills are well ventilated for safety reasons.
- Do not use water on a grease fire. Personal injury may result. If a grease fire develops, turn knobs and LP tank off.
- If grill has not been regularly cleaned, a grease fire can occur that may damage the product. Pay close attention while preheating or burning off food residue to insure that a grease fire does not develop.
- The best way to prevent grease fires is regular cleaning of the grill following instructions on General Grill Cleaning and Cleaning The Burner.

DANGER

If you smell gas:

- **Shut off gas to the appliance.**
- **Extinguish any open flame.**
- **Open lid.**
- **If odour continues, keep away from the appliance and immediately call your gas supplier or your fire department.**

WARNING

- **Do not store or use gasoline or other flammable liquids or vapours in the vicinity of this or any other appliance.**
- **An LP cylinder not connected for use shall not be stored in the vicinity of this or any other appliance.**

WARNING

CALIFORNIA PROPOSITION 65

1. Combustible by-products produced when using this product contains chemicals known to the State of California to cause cancer, birth defects, or other reproductive harm.
2. This product contains chemicals, including lead and lead compounds, known to the State of California to cause cancer, birth defects or other reproductive harm.

For more information, go to: www.P65Warnings.ca.gov

Wash your hands after handling this product.

Installation Safety Precautions

Installation must conform with local codes or, in the absence of local codes, with either the National Fuel Gas Code, ANSI Z223.1/NFPA 54, Natural Gas and Propane Installation Code, CSA B149.1, or Propane Storage and Handling for Recreational Vehicles, ANSI A 119.2/NFPA 1192, and CSA Z240 RV Series, Recreational Vehicle Code, as applicable.

Safety Tips

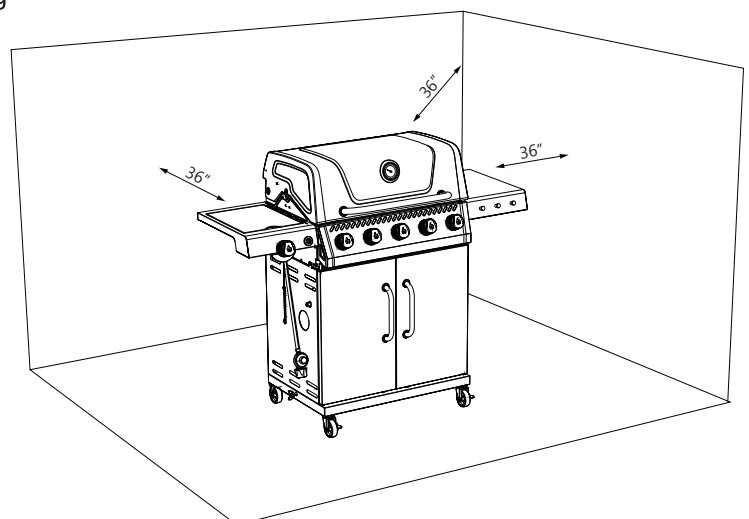
- When grill is not in use, turn off all control knobs and LP cylinder valve.
- Never move grill while in operation or still hot.
- Some surfaces will be hot during use. Use long-handled barbecue utensils and oven mitts to avoid burns and splatters.
- Maximum load for side burner and side shelf is 10 lbs.
- The grease tray or cup must be installed during use and emptied after each use. Do not remove grease tray or cup until grill has completely cooled.
- If you notice grease or other hot material dripping from grill onto valve, hose or regulator, turn off gas supply at once. Determine the cause, correct it, then clean and inspect valve, hose and regulator before continuing. Perform a leak test.
- Do not store objects or materials inside the grill cart enclosure that would block the flow of combustion air to the underside of either the control panel or the firebox bowl.
- The regulator may make a humming or whistling noise during operation. This will not affect safety or use of grill.
- If you have a grill problem see the “Troubleshooting” Section.



CAUTION

1. An appliance is considered to be outdoors if installed with shelter no more inclusive than with walls on three sides, but with no overhead cover; all openings shall be permanently open; sliding doors, garage doors, windows, or screened openings are not considered as permanent openings;
2. An appliance is considered to be outdoors if installed with shelter no more inclusive than within a partial enclosure that includes an overhead cover and no more than two sidewalls. The sidewalls may be parallel, as in a breezeway, or at right angles to each other; all openings shall be permanently open; sliding doors, garage doors, windows, or screened openings are not considered as permanent openings-;
3. An appliance is considered to be outdoors if installed with shelter no more inclusive than within a partial enclosure that includes an overhead cover and three sidewalls, as long as 30% or more of the horizontal periphery of the enclosure is permanently open; all openings shall be permanently open; sliding doors, garage doors, windows, or screened openings are not considered as permanent openings.

The outdoor cooking gas appliance must not be used under overhead combustible construction. Minimum clearance of 36" (91 cm) on both sides and rear of it.



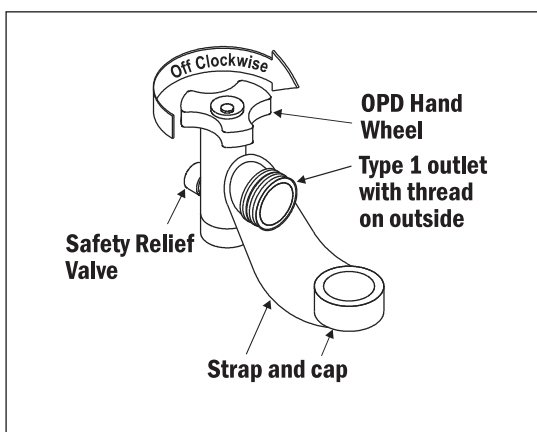
LP GAS CYLINDER REQUIREMENTS

DO NOT connect to a propane cylinder exceeding 20 lb (9.1 kg) capacity or use a cylinder with any other type of cylinder valve connection device.

LP gas supply cylinder must be constructed and marked in accordance with the specifications for LP gas cylinders of the US Department of Transportation (DOT) or the National Standard of Canada, CAN/CSA-B339, Cylinders Spheres and Tubes for the Transportation of Dangerous Goods.

LP cylinder valve must have:

- Shut-off valve with a correct cylinder valve output as specified in current standards.
CSA/ANSI Z21.58-2022/CSA1.6-2022 Outdoor Cooking Gas Appliances.
- Type 1 outlet compatible with regulator or grill.
- Safety relief valve.
- **UL listed Overfill Protection Device (OPD)**. This OPD safety feature is identified by a unique triangular hand wheel. Use only LP cylinders equipped with this type of valve.
- LP cylinder must be upright for vapor withdrawal and include collar to protect LP cylinder valve.
- Always keep LP cylinders in upright position during use, transit or storage.
- Place a dust cap on the cylinder gas valve outlet whenever the cylinder is not in use. Use only the type of dust cap that is provided with the cylinder valve when purchased. Other types of cap or plugs may result in leakage of propane.



Liquefied Petroleum Gas (LP):

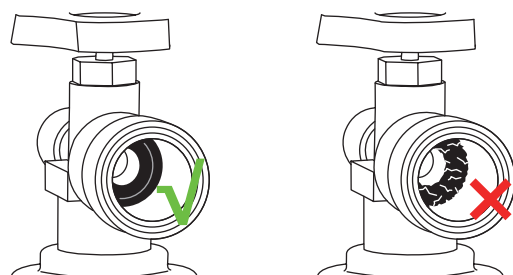
- LP gas is odorless, non-toxic, and colorless when produced. For your safety, LP gas has been given an artificial odor (similar to rotten eggs) so you can smell if there is any leakage.
- LP gas is highly flammable and can unexpectedly ignite when combined with the air.

L.P. Tank Requirements

- Measurements must be 12" (30.5 cm) in diameter by 18" (45.7 cm) high with 20 lb. (9.1 kg) maximum capacity.
- The LP gas supply cylinder must be constructed and marked in accordance with the specifications for LP gas cylinders of the US Department of Transportation (DOT) or the National Standard of Canada (CAN/CSA-B339), Cylinders, Spheres and Tubes for the Transportation of Dangerous Goods.

LP GAS CYLINDER RUBBER SEAL INSPECTION

- Inspect the LP gas cylinder valve rubber seal for cracks, wear or deterioration prior to each use. A damaged rubber seal can cause a gas leak, possibly resulting in an explosion, fire, or severe bodily harm.
- It is recommended that you inspect the rubber seal each time the LP gas cylinder is connected to the appliance, each time it has been refilled, or if it has not been used for more than 60 days.
- **DO NOT** use an LP gas cylinder with a damaged rubber seal. The rubber seal **CANNOT** be repaired or replaced. Purchase a new cylinder or exchange the cylinder. You should inspect the seal before accepting a new or exchanged cylinder. **DO NOT** insert tools or foreign objects into the cylinder valve opening as this could damage the rubber seal.
- The cylinder face elastomeric face seal element on these devices could, over time, show marked and visible damage or deterioration that might cause leak even with the connection tightened; a visual inspection for the seal must be carried out every time a LP gas cylinder is replace or refilled; any LP-gas cylinder showing signs of damage or deterioration as the following illustrated, including visible cracks and pitting, must be returned unused to the seller.

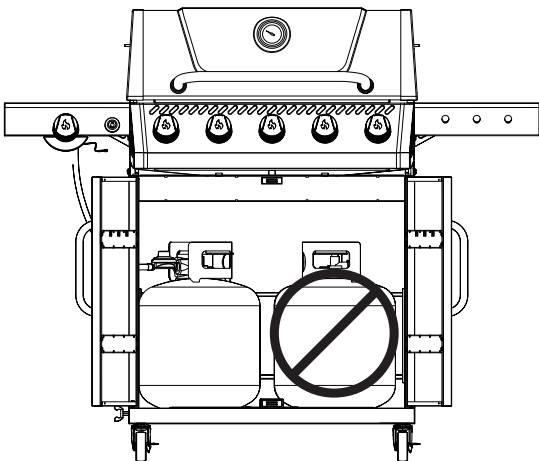


WARNING

- Any attempt to connect a regulator to any connectors other than the mating TYPE -1 connector could result in fires, explosions, injuries, or property damage. Use only LP cylinders equipped with this type of valve.
- DO NOT connect to a propane cylinder exceeding 20 lb (9.2 kg) capacity or use a cylinder with any other type of cylinder valve connection device.
- Before opening LP cylinder valve, check the coupling nut for tightness.

WARNING

- Always turn cylinder valve off when the grill is not in use.
- Always handle the LP gas cylinder valve with the utmost care.
- Never connect an unregulated LP gas cylinder to the grill.
- Always keep the cylinder, in use, securely fastened in an upright position.
- Never expose the cylinder to direct sunlight or excessive heat.
- Never insert any kind of object into the valve outlet as this may cause damage to the back-check. A damaged back-check can leak resulting in fires, explosions, property damage, severe injuries or death.
- Do not store an LP cylinder in enclosed spaces such as a carport, garage, porch, covered patio or other building. Make sure the storage area has a lot of ventilation.
- Do not store an LP cylinder in an area where children play.



DANGER

- NEVER store a spare LP cylinder, empty or full, under or near the appliance.
- Never fill a cylinder beyond 80% full.
- An overfilled or improperly stored cylinder is a hazard due to possible gas release from the safety relief valve. This could cause an intense fire or explosion with risk of property damage, serious injury or death.
- Do not store objects or materials inside the grill cart enclosure that would block the flow of combustion air to the underside of either the control panel or the burner box.
- If you see, smell or hear gas escaping, immediately get away from the LP cylinder/appliance and call your fire department.
- If the information above is not followed exactly, a fire causing death or serious injury could occur.

OUTDOOR

- An appliance is considered to be outdoors if installed with shelter no more inclusive than with walls on three sides, but with no overhead cover; all openings must be permanently open; sliding doors, garage doors, windows, or screened openings are not considered as permanent openings;
- An appliance is considered to be outdoors if installed with shelter no more inclusive than within a partial enclosure that includes an overhead cover and no more than two sidewalls. The sidewalls may be parallel, as in a breezeway, or at right angles to each other; all openings must be permanently open; sliding doors, garage doors, windows, or screened openings are not considered as permanent openings; or
- An appliance is considered to be outdoors if installed with shelter no more inclusive than within a partial enclosure that includes an overhead cover and three sidewalls, as long as 30% or more of the horizontal periphery of the enclosure is permanently open. All openings must be permanently open; sliding doors, garage doors, windows, or screened openings are not considered as permanent openings.

PROPANE MODELS

Your barbecue is designed to operate on LP gas at a pressure of 2.74 kPa (11" water column). A regulator preset to this pressure is supplied with your grill.

QCC-1 QUICK CLOSING COUPLING

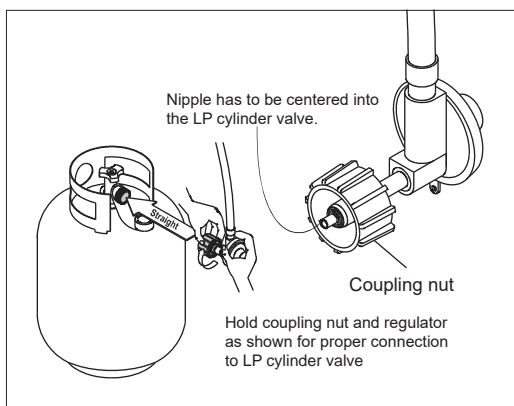
All models are designed to be used with an LP gas cylinder equipped with the new QCC-1 Quick Closing Coupling system.

The QCC-1 system incorporates new safety features required by the Canadian Standards Steering Committee.

- Gas will not flow until a positive connection has been made.
- A thermal element will shut off the flow of gas between 240 – 300°F (115 – 150°C).
- When activated, a Flow Limiting Device will limit the flow of gas to 10 cubic feet per hour.

CONNECTING REGULATOR TO THE LP CYLINDER

1. LP cylinder must be properly secured onto grill.
2. Turn all control knobs to the "OFF"(O) position.
3. Turn LP cylinder "OFF" by turning hand-wheel clockwise to a full stop.
4. Remove the protective cap from LP cylinder valve. Always use cap and strap supplied with valve.
5. Hold regulator and insert nipple into LP cylinder valve. Hand tighten the coupling nut. Hold the regulator in a straight line with LP cylinder valve so as not to cross-thread the connection.
6. Turn the coupling nut clockwise and tighten to a full stop. The regulator will seal on the back-check feature in the LP cylinder valve, resulting in some resistance.



Note: If you cannot complete the connection, disconnect regulator and repeat steps 5 and 6. If you are still unable to complete the connection, do not use this regulator!

SAFETY HOSE AND REGULATOR

Regulator Flow Limiting Device

If you are experiencing any of the following performance issues you may have activated the flow limiting feature in your regulator:

- Burners not getting hot enough
- Low or incomplete burner flames
- Low gas pressure
- Burners not staying lit

Resetting The Regulator Flow Feature

1. With all control knobs and the gas source in the "OFF"(O) position, open the grill lid.
2. Disconnect the hose and regulator from the LP gas cylinder.
3. Turn all grill control knobs to the "HIGH" position.
4. Let stand for 1-3 minutes, allowing all excess gas in valves and manifold to dissipate.
5. Turn all grill control knobs back to the "OFF"(O) position.
6. With the grill lid still open, reconnect the hose and regulator to the LP gas cylinder; do not cross thread the connection. Hand-tighten only.
7. Check all hose connections to ensure that a positive seal has been made. Perform a leak test.
8. Slowly turn on the propane gas supply, 1/4 to 1/2 a turn.
9. Wait approximately 5 seconds for the hose and regulator pressure to stabilize.
10. Turn the selected burner control knob to the "HIGH" position
11. Press the ignition button, or use the match and match holder or a butane lighter to ignite the selected burner.

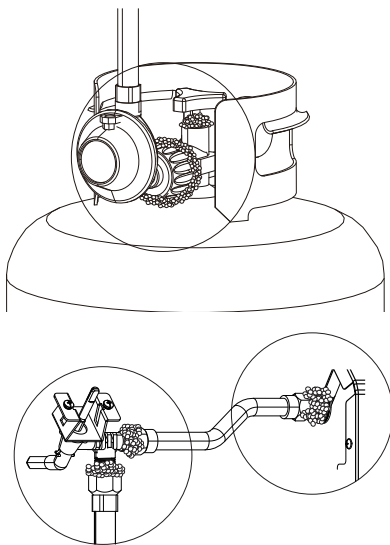
Avoid activating the Flow Limiting Feature by following the proper start up and shut down procedures and performing a complete leak test and safety check to ensure that there are no leaks in the system and that a positive connection has been made between the gas source and manifold assembly.

Leak Testing

Note: Remove all packaging, including straps, before using the appliance

1. Wet fittings with a soap and water solution, using a spray bottle, brush, or rag. You can make your own soap and water solution by mixing 20% liquid soap with 80% water; or, you can purchase leak check solution in the plumbing section of any hardware store.
2. Make sure the control valves are in the "OFF" position, and turn on the gas supply.
3. Check all connections from the LP gas regulator and supply valve up to and including the connection to the manifold pipe assembly (the pipe that goes to the burners). Soap bubbles will appear where a leak is present.
4. If a leak is present, immediately turn off the gas supply and tighten the leaky fittings.
5. Turn the gas back on and recheck.
6. Should the gas continue to leak from any of the fittings, turn off the gas supply and contact customer service.
7. If bubbles do not appear, leak checking is complete: Turn gas supply off at the tank and rinse connections with water.

NOTE: Since some leak test solutions, including soap and water, may be slightly corrosive, all connections should be rinsed with water after checking for leaks. Only those parts recommended by the manufacturer should be used on the appliance. Substitution will void the warranty. Do not use the appliance until all connections have been checked and do not leak.



WARNING

Check all gas supply fittings for leaks before each use. If "growing" bubbles appear, there is a leak. IMMEDIATELY turn off the LP tank valve. If bubbles continue presenting, IMMEDIATELY move away from the LP tank and contact the FIRE DEPARTMENT (e.g. 911).

Turning the gas supply off

Turn all knobs to the OFF position, and turn LP tank OFF by turning the hand-wheel clockwise to a full stop.

Disconnecting Regulator to the LP Tank

1. Turn the burner valves off.
2. Turn the tank valve off fully (turn clockwise to stop).
3. Turn the coupling nut counterclockwise to loosen the connector. Loosen by hand only. Do not use tools.
4. When disconnected, the regulator should be hung on the hook attached to the appliance.

DANGER

- Do not insert any tool or foreign object into the valve outlet or safety relief valve. You may damage the valve and cause a leak. Leaking gas may result in explosion, fire, severe personal injury, or death.
- Never attempt to attach this appliance to the self-contained LP gas system of a camper or trailer or motor home.
- The pressure regulator and hose assembly supplied with the appliance must be the one used. Replacement pressure regulators and hose assemblies must be those specified by the manufacturer.
- Do not use the appliance until leak checked.
- If leak is detected at any time, STOP.
- If you cannot stop a gas leak, immediately close the LP tank valve, move away from the appliance, and call the LP gas supplier or the fire department!
- Turn off the gas supply cylinder when not in use.

Lighting Instructions

Light Main Burner

1. Open lid during lighting.
2. Ensure all control knobs are in the "OFF" position, and close the LP gas cylinder valve.
3. Open the LP gas cylinder valve and wait 5 seconds.
4. Press in the second lighting control knob from the left and turn it to the high (⚡/🔥) position.
5. Press the ignition button (⚡).
6. If ignition does not occur in 5 seconds, turn the burner control(s) off, wait 5 minutes, and repeat the lighting procedure.

Light Side Burner

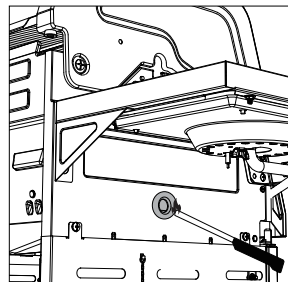
1. Open lid during lighting.
2. Ensure the side burner control knob is in the "OFF" position.
3. Open the LP gas cylinder valve and wait 5 seconds.
4. Press in and turn the side burner control knob to high (🔥).
5. Press the ignition button (⚡).
6. If ignition does not occur in 5 seconds, turn the burner control(s) off, wait 5 minutes, and repeat the lighting procedure.

Light Sear Burner

1. Open lid during lighting.
2. Ensure the sear burner control knob is in the "OFF" position.
3. Push in and turn the far-right oven burner control knob counterclockwise to the high position (⚡/🔥). You will hear a clicking sound as the ignitor engages.
4. If ignition does not occur in 5 seconds, turn the burner control(s) off, wait 5 minutes, and repeat the lighting procedure.

Manual Lighting

1. Turn gas burner control valves to (off).
2. Open lid during lighting or re-lighting.
3. Turn ON gas at LP cylinder.
4. Press in and turn the control knob to the high (⚡/🔥) position.
5. Insert a barbecue lighter through the lighting hole on the left or right side of the burner box. Ensure the burner is lit.
6. Light adjacent burners in sequence by pushing knobs in and turning to the high (🔥) position.



WARNING

Do not use spirit or petrol for lighting or re-lighting!

Turning Grill Off

Turn all knobs to the off position. Turn LP cylinder off by turning hand-wheel clockwise to a full stop.

Burner Flame Check

Always check the burner flame patterns after lighting. A good flame should be primarily blue with a yellow tip and have a minimal amount of flicker. Some yellow tips are OK if they are smaller than 2.5 cm (1"). New burners sometimes have oil residue, which will cause yellow flame when burning off. Variations in gas supply, altitude, weather, and other factors can all impact burner performance. Older grills can also show more yellow flame due to food deposit, oil, and fat buildup.

Good



Yellow

Light Blue

Blue

Bad



Yellow

Light Blue
Blue



CAUTION

Beware of Flashback

Spiders and small insects occasionally spin webs or make nest in the appliance burner tubes during transit and warehousing. These webs can lead to gas flow obstruction, which could result in a fire in and around burner tubes. This type of fire is known as "FLASH-BACK" and can cause serious damage to your appliance and create an unsafe operating condition for the user.

Although an obstructed burner tube is not the only cause of "FLASH-BACK", it is the most common cause.

To reduce the chance of "FLASH-BACK", you must clean the burner tubes before assembling your appliance, and at least once a month in late summer or early fall when spiders are most active. Also perform this burner tube cleaning procedure if your appliance has not been used for an extended period of time. A clogged tube can lead to a fire beneath the appliance.

First Time Use

Before cooking on your gas grill for the first time, burn it off to rid it of any odors or shipping oil in the following manner:

1. With cooking grates installed in position, turn on the gas grill and operate on HIGH position for 10 to 15 minutes. Then, turn all control knobs and gas supply to OFF position.
2. When gas grill is cool, remove cooking grates and wash off the cooking grates by using soapy water and a towel or paper towels. Rinse off the soap and air dry. Next, thoroughly season cooking grates by spraying or wiping olive or vegetable oil on them. Ensure that the entire surface is generously coated including the corners. For cast iron cooking grates, light seasoning should be done before every usage.
3. Your grill is ready to cook. Proceed to "PREHEATING".

Preheating

It is necessary to preheat the grill before cooking, depending on the type of food and the cooking temperature.

Preheat the gas grill on MEDIUM/HIGH with the lid closed for 5 to 10 minutes. Reduce heat as appropriate for what you are grilling. Next, brush or spray the cooking grates with olive or vegetable oil to prevent food from sticking.

LID POSITION:

Open or close the lid during grilling in accordance with your personal preference, but the gas grill cooks faster by using less fuel with the lid closed. Get a smokier flavor to meat cooked directly on the cooking grates with lid closed, and the closed lid position is also essential for smoking and indirect convection cooking methods.

COOKING WITH INDIRECT HEAT:

You can cook poultry and large cuts of meat slowly to perfection on one side of the grill by the indirect heat from the burner on the other side. Heat from the lighted burner circulates gently throughout the grill, thereby cooking the meat or poultry without any direct flame touching it. This method greatly reduces risk of flare-ups when cooking extra fatty cuts as there is no direct flame to burn the fat and juices that drip down while cooking.

CAUTION

1. Keeping the outdoor cooking gas appliance area clear and free from combustible materials, gasoline, and other flammable vapours and liquids;
2. Do not obstruct the flow of combustion and ventilation air;
3. Keeping the ventilation opening(s) of the cylinder enclosure free and clear from debris;
4. Visually checking burner flames including pilot burner flame if provided, with pictorial representations;
5. Cleaning the outdoor cooking gas appliance, including special surfaces, with recommended cleaning agents, if necessary; and
6. Checking and cleaning burner/venturi tubes for insects and insect nests. A clogged tube can lead to a fire beneath the grill.

General Grill Cleaning

- Do not mistake brown or black accumulation of grease and smoke for paint. Interiors of gas grills are not painted at the factory (and should never be painted). Apply a strong solution of detergent and water or use a grill cleaner with scrub brush on insides of grill lid and bottom. Rinse and allow to completely air dry. Do not apply a caustic grill/oven cleaner to painted surfaces.
- **Plastic parts:** Wash with warm soapy water and wipe dry.
- Do not use citrisol, abrasive cleaners, degreasers or a concentrated grill cleaner on plastic parts. Damage to and failure of parts can result.
- **Porcelain surfaces:** Because of glass-like composition, most residue can be wiped away with baking soda/water solution or specially formulated cleaner. Use nonabrasive scouring powder for stubborn stains.
- **Painted surfaces:** Wash with mild detergent or nonabrasive cleaner and warm soapy water. Wipe dry with a soft nonabrasive cloth.
- **Stainless steel surfaces:** To maintain your grill's high quality appearance, wash with mild detergent and warm soapy water and wipe dry with a soft cloth after each use. Baked-on grease deposits may require the use of an abrasive plastic cleaning pad. Use only in direction of brushed finish to avoid damage. Do not use abrasive pad on areas with graphics.
- **Cooking surfaces:** If a bristle brush is used to clean any of the grill cooking surfaces, ensure no loose bristles remain on cooking surfaces prior to grilling. It is NOT recommended to clean cooking surfaces while grill is hot.

Cleaning the Burners

1. Ensure the gas is turned off at the LP cylinder.
2. Remove the cooking grates and flame tamers.
3. Lift each burner up and out.
4. Clean the inside of the burner using a stiff wire.
A straightened coat hanger will work. An alternative is to use compressed air. Always wear protective gear for your eyes when using this method.
Never enlarge the burner ports during cleaning.
5. Brush the outer surface of the burner.
6. Ensure all ports (holes) are free of debris.
7. Inspect the burners. Replace any that have cracks or enlarged ports.
8. Replace flame tamers and cooking grates if necessary.
9. Perform the Leak Test described earlier in this Manual.

Storing Your Grill

1. Clean your grill before storage. Store in a cool dry place.
2. Storage of a gas grill indoors is permissible only if the LP cylinder is disconnected and removed from the gas grill.
3. A cover is highly recommended to protect your grill. Choose from a variety of grill covers offered by the manufacturer.
4. Perform a Leak Test before using the grill after it has been kept in storage for some time.

Emergencies	Possible Cause	Prevention/Solution
Gas leaking from cracked/cut/burned hose	Damaged hose	Turn off gas at LP cylinder, if hose is cut or cracked, replace hose. Conduct LP cylinder leak test and check regulator connection to the LP cylinder.
Gas leaking from LP cylinder	Mechanical failure due to aging or mishandling	Turn off LP cylinder valve. Contact your LP dealer or call 911.
Gas leaking from LP cylinder valve	Failure of cylinder valve due to mishandling or mechanical failure	Turn off LP cylinder valve. Return LP cylinder to gas supplier.
Gas leaking between LP cylinder and regulator connection	Improper installation, loose connection, failure of rubber seal	Turn off LP cylinder valve, remove regulator from cylinder and visually inspect the rubber seal for damage. Conduct LP cylinder leak test and check regulator connection to the LP cylinder.
Fire coming through control panel	Fire in burner tube section of the burner due to partial blockage	Turn off control knobs and LP cylinder valve. After the fire is out and grill is cold, remove the burner and inspect for spider nests or rust. See natural hazards and cleaning the burner assembly pages.

Problem	Possible Cause	Prevention/Solution
Grease fire or continuous excessive flame above cooking surface	Too much grease buildup in burner area	Turn off LP cylinder. Leave lid open to allow the flames to die down. After cooling, clean food particles and excess grease from inside the firebox area, grease cup/pan/tray, and other surfaces.
Burner will not light when using the ignitor	<p>Gas issues:</p> <ol style="list-style-type: none"> Trying to light wrong burner Burner not engaged with control valve Obstruction in burner No gas flow Vapor lock at coupling nut to LP cylinder Coupling nut and LP cylinder valve not fully connected 	<ol style="list-style-type: none"> See instructions on control panel. Make sure valve are positioned inside the burner tubes. Ensure burner tubes are not obstructed with spider webs or other material; see cleaning section in Cleaning and Maintenance. Make sure LP cylinder is not empty. If LP cylinder is not empty, check sudden drop in gas flow. Turn off knobs and disconnect coupling nut from LP cylinder. Reconnect and retry. Turn the coupling nut approximately one-half to three-quarters.
	<p>Electrical issues:</p> <ol style="list-style-type: none"> Electrode cracked or broken; sparks at crack Electrode tip not in proper position Wire and/or electrode covered with cooking residue Wires are loose or disconnected Wires are short-circuited between ignitor and electrode. Push button sticks at bottom sparking between ignitor and electrode. 	<ol style="list-style-type: none"> Replace electrode. Tip of electrode should be pointing toward the port hole in the burner. The distance should be 1/8" to 3/16". Adjust if necessary. Clean wire and or electrode with rubbing alcohol and clean swab. Reconnect wires or replace electrode/wire assembly. Replace ignitor wire. Replace ignitor. Inspect wire insulation and proper connection. Replace wires if insulation is broken.
	<p>Ignitor issues:</p> <ol style="list-style-type: none"> Dead ignitor battery Battery/ignitor cap not installed correctly <p>NOTE: Try manually lighting burner with a match. If burner lights successfully, it is an ignitor issue.</p>	<ol style="list-style-type: none"> Replace battery. Make sure 2 ends of the battery are oriented properly. The "+" end should be toward the ignitor cap. Rescrew the ignitor cap and make sure threads are aligned fully.

Problem	Possible Cause	Prevention/Solution
Sudden drop in gas flow or low flame	<ol style="list-style-type: none"> 1. Grease buildup 2. Excessive fat in meat 3. Excessive cooking 	<ol style="list-style-type: none"> 1. Clean burners and inside of grill/firebox. 2. Trim fat from meat before grilling.
Flame blows out	High or gusting winds/Low LP gas/Excess flow valve tripped	Turn front of grill to face wind or increase flame height. Refill LP cylinder.
Persistent grease fire	Grease trapped by food buildup around the burner system	Turn knobs to OFF. Turn gas off at the LP cylinder. Leave lid in position and let the fire burn out. After the grill cools, remove and clean all parts.
Flashback (fire in burner tube(s))	Burner and burner tubes are blocked	Turn knobs to OFF. Clean burner and/or burner tubes. See cleaning the burners section in Cleaning and Maintenance.
Flare-up	<ol style="list-style-type: none"> 1. Grease buildup 2. Excessive fat in meat 3. Excessive cooking temperature 	<ol style="list-style-type: none"> 1. Clean burners and inside of grill/firebox. 2. Trim fat from meat before grilling. 3. Adjust (lower) temperature.
Unable to fill LP cylinder	Some dealers have older fill nozzles with worn threads.	When turning worn nozzles, they don't have enough "bite" to engage the valve. Try a different LP dealer.
One burner does not light from other burner(s)	Grease buildup or food particles in end of carryover tube	Clean carry-over tube with wire brush.



Thanks for purchasing this **FEASTO**® grill.

FEASTO warrants to the original consumer-purchaser only that this product shall be free from defects in workmanship and materials after correct assembly and under normal and reasonable home use for the periods, normal residential use and recommended care for **1-Year** Limited Warranty from the date of original retail purchase. The warranty does not cover paint finish as it may burn off during normal use. **RUST** is not considered a manufacturing or materials defect.

Within the stated warranty period, FEASTO, at its discretion, shall replace defective components free of charge, with the owner being responsible for shipping. FEASTO reserves the right to require that defective parts be returned, postage and or freight pre-paid by the consumer for review and examination. In the event of parts availability issues, FEASTO reserves the right to substitute like or similar parts that are equally functional. Upon the expiration of such warranty, all such liability shall terminate.

Note: This limited warranty is only available to the original owner of the product and is not transferable. A dated sales receipt along with Model Number and Series Number will be required for the warranty service.

The limited warranty will not reimburse you for the cost of any inconvenience, food, personal injury or property damage. All warranty coverage is void if this appliance is ever used for commercial or rental purposes. And this limited warranty applies to the functionality of the product **ONLY** and does not cover cosmetic issues such as scratches, dents, corrosions or discoloring by heat, abrasive and chemical cleaners or any tools used in the assembly or installation of the appliance, surface rust, or the discoloration of stainless steel surfaces.

ITEMS NOT COVERED IN THE WARRANTY SERVICE

Any failures or operating difficulties due to accident, abuse, misuse, alteration, misapplication, vandalism, improper installation or improper maintenance or service, or failure to perform normal and routine maintenance, including but not limited to damage caused by insects within the burner tubes, as set out in the owner's manual.

Deterioration or damage due to severe weather conditions such as hail, hurricanes, earthquakes or tornadoes, discoloration due to exposure to chemicals either directly or in the atmosphere.

Cost of service calls to your home.

Costs of removal or re-installation.

Pickup and delivery of your product.

Shipping or transportation costs.

Labor costs for installation and repair.

Liability for indirect, or consequential damages.

This limited warranty is the sole warranty given by FEASTO and is in lieu of all other warranties, expressed or implied including implied warranty, merchantability, or fitness for a particular purpose. Neither FEASTO nor the retail establishment selling this product has authority to make any warranties or to promise any remedies in addition to or inconsistent with those stated above.

FEASTO's maximum liability, in any event, shall not exceed the purchase price of the product paid by the original consumer purchaser. Some states do not allow the exclusion or limitation of incidental or consequential damages. In such a case, the above limitations or exclusions may not be applicable.

Do not return parts without prior to obtaining return authorization from our customer service department.

Please do not hesitate to contact our customer service when you have any questions regarding assembly, warranty, or accessories. We will be happy to offer any replacement parts you need during the warranty period.



service@feastooutdoors.com



1-470-589-8732



Mon-Fri, 8:30 AM-5:30 PM, EST

ÍNDICE DE MATERIAS

Por su propia seguridad	14-16
Bombona de gas	17-20
Instrucciones de funcionamiento	21-22
Limpieza y mantenimiento	23
Guía de solución de problemas	24-25
Garantía Limitada	26
Diagrama de partes	40
Lista de piezas y hardware	41-43
Montaje	44-61

CONSERVE ESTAS INSTRUCCIONES

Este Manual del Usuario contiene información importante, necesaria para el adecuado montaje y uso seguro del aparato. Lea y siga todas las advertencias e instrucciones antes de montar y usar el aparato.
¡Llámenos primero!

NO devuelva la parrilla al minorista. Esta parrilla ha sido hecha con altos estándares de calidad. Si tiene alguna pregunta que no figure en este manual del usuario, o necesita piezas, llame a nuestra línea directa de atención al cliente 1-470-589-8732.

Símbolos de seguridad

Los símbolos ilustrados más adelante explican lo que significa cada encabezado. Lea y cumpla lo indicado en los mensajes que se encuentran en todo el manual.



Indica una situación peligrosa inminente que, de no evitarse, ocasionará la muerte o lesiones graves.



Indica una situación potencialmente peligrosa que, de no evitarse, podría causar la muerte o lesiones graves.



Indica una situación potencialmente peligrosa o una práctica insegura que, de no evitarse, podría causar lesiones leves o menores.

 **PRECAUCIÓN**

Sólo para uso particular. No lo use para fines comerciales.
 Antes de empezar a ensamblar la parrilla y cocinar, lea y siga todas las indicaciones de seguridad, las instrucciones de ensamblado y las instrucciones de uso y de cuidado
 Ciertas pueden tener bordes cortantes. Si es necesario, use guantes protectores.

- Este aparato de gas para cocina exterior solo debe usarse al aire libre y no debe utilizarse dentro de edificios, garajes ni en ningún otro espacio cerrado.
- Este aparato de gas para cocina exterior no está diseñado para ser instalado en barcos ni sobre ellos. Inspeccione la manguera antes de cada uso del aparato de gas para cocina exterior. Si es evidente que existe un desgaste o abrasión excesivos, o si la manguera está cortada, debe reemplazarse antes de poner en funcionamiento el aparato. El conjunto de manguera de repuesto debe ser el especificado por el fabricante.
- Un aparato de gas para cocina exterior puede almacenarse en interiores solo si el(los) cilindro(s) está(n) desconectado(s) y retirado(s) del aparato.
- Los cilindros deben almacenarse al aire libre, fuera del alcance de los niños, y no deben almacenarse en edificios, garajes ni en ningún otro espacio cerrado.
- Debe utilizarse el regulador de presión y el conjunto de manguera suministrados con el aparato de gas para cocina exterior. Los reguladores de presión y conjuntos de manguera de repuesto deben ser los especificados por el fabricante del aparato.

Temperatura ambiente mínima de funcionamiento: 0°F (-18°C)

Fuego de Grasa

- No es posible apagar los fuegos provocados por la grasa cerrando la tapa. Por razones de seguridad, las parrillas tienen aberturas de ventilación.
- No use agua para apagar los fuegos provocados por la grasa. Esto puede ocasionar lesiones. Si surge un fuego provocado por la grasa, cierre las perillas y el tanque de gas.
- Si el asador no se ha limpiado regularmente, podría ocurrir fuego causado por la grasa que podría dañar el producto. Preste mucha atención mientras precalienta o quema los residuos de comida para asegurar que no se cause fuego debido a la grasa.
- La mejor forma de prevenir el incendio de grasas es limpiar frecuentemente la parrilla siguiendo las instrucciones de Limpieza general de la parrilla y Limpieza del conjunto quemador.

 **PELIGRO** 

Si huele gas:

- **Apague el suministro de gas a la parrilla.**
- **Extinga cualquier llama abierta.**
- **Abra la tapa.**
- **Si el olor permanece, manténgase alejado de la parrilla y llame inmediatamente a su departamento de bomberos.**

 **ADVERTENCIA**

- **No almacene ni utilice gasolina u otros líquidos o vapores inflamables cerca de este o cualquier otro aparato.**
- **No se debe almacenar un bombona de gas licuado que no esté conectado para su uso en las proximidades de este o cualquier otro aparato.**

 **ADVERTENCIA**

PROPOSICION 65 DEL ESTADO DE CALIFORNIA

1. En el estado de California se sabe que los subproductos de la combustión, que se producen al usar este producto, contienen sustancias químicas que causan cáncer, defectos congénitos u otras lesiones al aparato reproductor.
2. Este producto contiene sustancias químicas, incluyendo el plomo y compuestos de plomo, que en el estado de California se sabe que las causan cáncer, defectos congénitos u otras lesiones al aparato reproductor.

Para más información, visite: www.P65Warnings.ca.gov

Lávese las manos después de manipular este

Medidas de seguridad para la instalación

- Utilice la parrilla, tal como se compró, sólo con LP (propano), el gas y el regulador / válvula de montaje suministrado. Si su parrilla es de doble combustible listo, un kit de conversión debe ser adquirido para su uso con gas natural.
- La instalación de la parrilla debe cumplir con las disposiciones de los códigos locales, o, en su defecto, con el National Fuel Gas Code (o Código nacional sobre gases combustibles), y las normas NFPA 54 / ANSI Z223.1 y Natural Gas and Propane Installation Code (Código de la instalación del gas natural y del propano), CSA B149.1.

Consejos de seguridad

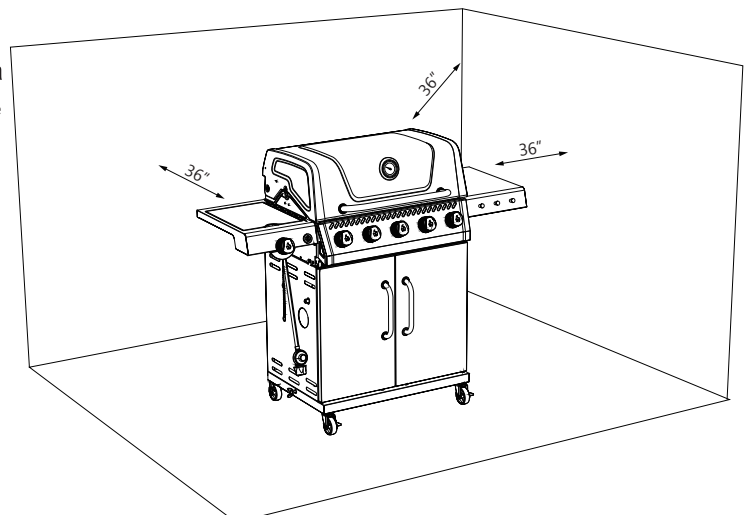
- Cuando no use la parrilla, cierre todas las perillas de control y la válvula del tanque de gas.
- Algunas superficies pueden estar calientes durante el uso. Use utensilios para parrilla de mango largo y guantes para hornear, para evitar quemaduras y salpicaduras.
- El peso máximo que soportan el quemador lateral y la repisa lateral es de 10 lb.
- La bandeja o el recipiente para la grasa debe estar colocado siempre que use la parrilla, y lo debe vaciar cada vez después de usarla. No retire la bandeja o el recipiente para la grasa hasta que la parrilla se haya enfriado por completo.
- Si observa que de la parrilla caen gotas de grasa u otras sustancias calientes sobre la válvula, la manguera o el regulador, cierre inmediatamente el paso de gas. Establezca la causa, corrija el problema, limpie e inspeccione la válvula, la manguera y el regulador, antes de proseguir. Haga una prueba para detectar fugas.
- No guarde objetos ni materiales dentro del carrito de la parrilla que puedan bloquear la circulación del aire de la combustión a la parte inferior del tablero de control o de la caja de la cámara de combustión.



PRECAUCIÓN

1. Se considera que un aparato está instalado en exteriores si se ubica en un refugio no más cerrado que con paredes en tres de sus lados, pero sin cubierta superior; todas las aberturas deben estar permanentemente abiertas; las puertas corredizas, puertas de garaje, ventanas o aberturas con malla no se consideran aberturas permanentes.
2. Se considera que un aparato está instalado en exteriores si se ubica en un refugio no más cerrado que dentro de un recinto parcial que incluya una cubierta superior y no más de dos paredes laterales. Las paredes laterales pueden ser paralelas, como en un paso cubierto, o formar ángulos rectos entre sí; todas las aberturas deben estar permanentemente abiertas; las puertas corredizas, puertas de garaje, ventanas o aberturas con malla no se consideran aberturas permanentes.
3. Se considera que un aparato está instalado en exteriores si se ubica en un refugio no más cerrado que dentro de un recinto parcial que incluya una cubierta superior y tres paredes laterales, siempre que el 30% o más del perímetro horizontal del recinto esté permanentemente abierto; todas las aberturas deben estar permanentemente abiertas; las puertas corredizas, puertas de garaje, ventanas o aberturas con malla no se consideran aberturas permanentes.

El aparato de gas para cocina exterior no debe utilizarse bajo estructuras combustibles elevadas. Distancia mínima libre de 36" (91 cm) en ambos lados y en la parte trasera del aparato.



REQUISITOS PARA CILINDRO DE GAS LP

Las medidas deben ser de 12" (30,5 cm) de diámetro por 18" (45,7 cm) de alto, con una capacidad máxima de 20 libras (9,1 kg).

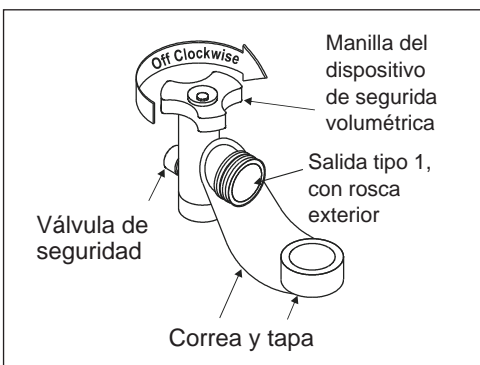
La bombona de suministro de gas debe estar construida y marcada de acuerdo con las especificaciones para bombonas de gas del Departamento de Transporte de EE. UU. (DOT) o el Estándar Nacional de Canadá (CAN/CSA-B339), Bombonas, Esferas y Tubos para Transporte de Mercancías Peligrosas.

Gas licuado (LP):

- El gas licuado es inodoro, no tóxico e incoloro cuando se produce. Por su seguridad, al gas LP se le ha dotado de un olor artificial (similar al de huevos podridos) para que pueda oler si hay alguna fuga.
- El gas LP es altamente inflamable y puede prender inesperadamente cuando se combina con el aire.

La válvula del cilindro de LP debe tener:

- Una salida de tipo 1, compatible con el regulador o la parrilla.
- Una válvula de paso de seguridad.
- **Un dispositivo de seguridad volumétrica (OPD por sus siglas en inglés) certificado por UL.** Esta característica de seguridad OPD se identifica mediante una manilla de forma triangular. Use únicamente tanques equipados con válvulas de este tipo.
- El cilindro de gas LP debe estar en posición vertical para la eliminación de vapores e incluir un cuello para proteger la válvula del cilindro de gas LP. Siempre mantenga los cilindros en posición vertical durante el uso, transporte y almacenamiento.



Gas licuado (LP):

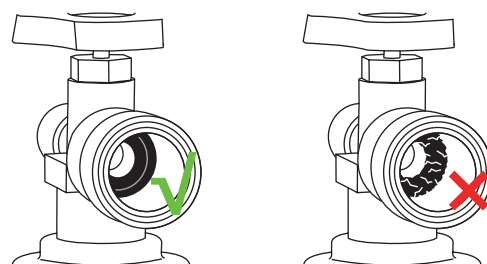
- El gas licuado es inodoro, no tóxico e incoloro cuando se produce. Por su seguridad, al gas LP se le ha dotado de un olor artificial (similar al de huevos podridos) para que pueda oler si hay alguna fuga.
- El gas LP es altamente inflamable y puede prender inesperadamente cuando se combina con el aire.

Requisitos que debe cumplir un tanque de LP

- Las medidas deben ser de 12" (30,5 cm) de diámetro por 18" (45,7 cm) de alto, con una capacidad máxima de 20 libras (9,1 kg).
- La bombona de suministro de gas debe estar construida y marcada de acuerdo con las especificaciones para bombonas de gas del Departamento de Transporte de EE. UU. (DOT) o el Estándar Nacional de Canadá (CAN / CSA-B339), Bombonas, Esferas y Tubos para Transporte de Mercancías Peligrosas.

INSPECCION DEL SELLO DE GOMA DEL CILINDRO DE GAS LP.

- Inspeccione el sello de goma de la válvula del cilindro de gas LP para detectar grietas, desgaste o deterioro antes de cada uso. Un sello de goma dañado puede causar una fuga de gas, lo que posiblemente puede resultar en una explosión, incendio o lesiones corporales graves.
- Se recomienda que inspeccione el sello de goma cada vez que se conecte el cilindro de gas LP al dispositivo, cada vez que se rellene, o si no ha sido utilizado en más de 60 días.
- NO utilice un cilindro de gas LP con un sello de goma dañado. El sello de goma NO PUEDE ser reparado o reemplazado. Compre un cilindro nuevo o cámbielo. Debe inspeccionar el sello antes de aceptar un cilindro nuevo o cambiado. NO inserte herramientas u objetos extraños en la abertura de la válvula del cilindro ya que podría dañar el sello de goma.
- El elemento de sellado elastomérico en la cara del cilindro de estos dispositivos puede, con el tiempo, presentar daños o deterioro marcado y visible que podrían causar fugas incluso con la conexión apretada. Debe realizarse una inspección visual del sello cada vez que se reemplace o recargue un cilindro de gas LP. Cualquier cilindro de gas LP que muestre signos de daño o deterioro como los que se ilustran a continuación, incluyendo grietas visibles y picaduras, debe ser devuelto sin usar al vendedor.

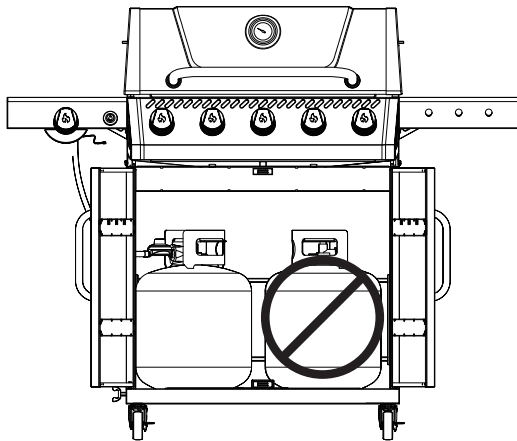


! ADVERTENCIA

- Cualquier intento de conectar un regulador a un conector distinto al conector TIPO -1 correspondiente podría provocar incendios, explosiones, lesiones o daños materiales. Utilice únicamente cilindros de gas LP equipados con este tipo de válvula.
- NO lo conecte a un cilindro de propano que exceda las 20 lb (9,2 kg) de capacidad ni utilice un cilindro con ningún otro tipo de dispositivo de conexión de válvula de cilindro.
- Antes de abrir la válvula del cilindro de gas LP, verifique que la tuerca de acoplamiento esté bien apretada.

! ADVERTENCIA

- Cierre siempre la válvula del cilindro cuando la parrilla no esté en uso.
- Manipule siempre la válvula del cilindro de gas LP con sumo cuidado.
- Nunca conecte un cilindro de gas LP no regulado a la parrilla.
- Mantenga siempre el cilindro, en uso, firmemente fijado en posición vertical.
- Nunca exponga el cilindro a la luz solar directa ni a calor excesivo.
- Nunca inserte ningún tipo de objeto en la salida de la válvula, ya que esto podría dañar el antirretorno. Un antirretorno dañado puede tener fugas, lo que puede provocar incendios, explosiones, daños materiales, lesiones graves o la muerte.
- No almacene un cilindro de gas LP en espacios cerrados, como cocheras, garajes, porches, patios cubiertos u otros edificios. Asegúrese de que el área de almacenamiento tenga suficiente ventilación.
- No guarde un cilindro de gas LP en un área donde jueguen niños.



! PELIGRO

- NUNCA guarde un cilindro de gas LP de repuesto, vacío o lleno, debajo o cerca del aparato.
- Nunca llene un cilindro más allá del 80% de su capacidad.
- Un cilindro demasiado lleno o almacenado incorrectamente es un peligro debido a la posible liberación de gas de la válvula de seguridad. Esto podría provocar un incendio intenso o una explosión con riesgo de daños materiales, lesiones graves o la muerte.
- No almacene dentro del compartimento del carrito de la parrilla objetos ni materiales que puedan bloquear el flujo de aire de combustión hacia la parte inferior del panel de control o la caja del quemador.
- Si ve, huele o escucha que se escapa gas, aléjese inmediatamente del cilindro o aparato de gas LP y llame a los bomberos.

EXTERIOR

- Un aparato se considera en el exterior si está instalado con una protección que no sea mayor que la de paredes en tres de sus lados, pero sin cubierta superior; todas las aberturas deben estar permanentemente abiertas; las puertas corredizas, las puertas de garaje, las ventanas o las aberturas con mosquitera no se consideran aberturas permanentes;
- Un aparato se considera en el exterior si está instalado con un resguardo que no sea más amplio que dentro de un recinto parcial que incluya una cubierta superior y no más de dos paredes laterales. Las paredes laterales pueden ser paralelas, como en un pasillo, o perpendiculares entre sí; todas las aberturas deben estar permanentemente abiertas; las puertas corredizas, las puertas de garaje, las ventanas o las aberturas con mosquitera no se consideran aberturas permanentes; o
- Un aparato se considera en exteriores si se instala con un resguardo que no incluya más que un recinto parcial que incluya una cubierta superior y tres paredes laterales, siempre que el 30% o más de la periferia horizontal del recinto esté permanentemente abierta. Todas las aberturas deben estar permanentemente abiertas; las puertas corredizas, las puertas de garaje, las ventanas o las aberturas con mosquitera no se consideran aberturas permanentes.

MODELOS DE PROPANO

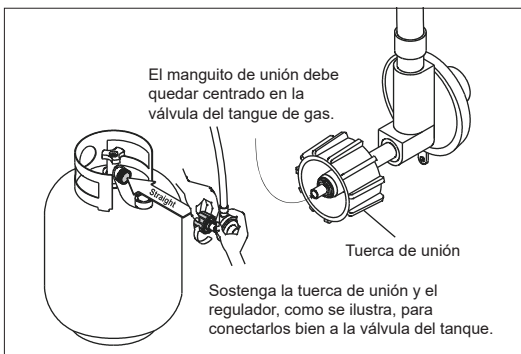
Utilice únicamente el regulador de presión de gas suministrado con este aparato de cocción al aire libre. Este regulador está configurado para una presión de salida de 11 pulgadas columna de agua.

QCC1 ACOPLAMIENTO DE CIERRE RÁPIDO

Su regulador está equipado con un sistema de conexión rápida QCC Tipo 1. No permite que el gas fluya hasta que se haya hecho un sello positivo. Tiene un elemento térmico que apaga el flujo de gas si la temperatura alcanza los 115 °C (240 °F). También tiene un dispositivo de limitación de flujo que restringe el flujo de gas a 10 pies cúbicos por hora (10 pies cúbicos por hora).

Como conectar el regulador al tanque de gas propano

1. El tanque de gas debe quedar bien fijado a la parrilla. (Lea la sección de ensamblado.)
2. Gire todas las perillas de control a la posición APAGADO (OFF).
3. CIERRE el tanque de gas, girando la manilla de la válvula en el sentido de las agujas del reloj, hasta que se detenga.
4. Retire la tapa de seguridad de la válvula del cilindro de gas LP. Siempre use la tapay correa, si se suministraron con la válvula.
5. Sostenga el regulador e inserte el manguito de unión en la válvula del tanque de gas. Apriete a mano la tuerca de unión, mientras sostiene el regulador en línea recta con la válvula del tanque, para no saltar ninguna rosca de la conexión.
6. Gire la tuerca de unión en el sentido de las agujas del reloj, apretándola hasta que no se mueva más. El regulador formará un sello en el dispositivo de seguridad de la válvula del tanque, lo que creará cierta resistencia. Se deberá hacer girar la tuerca entre un cuarto y tres cuartos de vuelta adicionales, para completar la conexión. Apriétela a mano, no use herramientas.



NOTA: Si no puede completar la conexión, desconecte el regulador repitalos pasos 5 y 6. Si a pesar de haberlo hecho, todavía no puede completar la conexión, ino use este regulador!

MANGUERA DE SEGURIDAD Y REGULADOR

Dispositivo limitador de flujo del regulador

Si experimenta alguno de los siguientes problemas de rendimiento, es posible que haya activado la función de limitación de flujo en su regulador:

- Los quemadores no se calientan lo suficiente
- Llamas bajas o incompletas en los quemadores
- Baja presión de gas
- Los quemadores no permanecen encendidos

Restablecimiento de la función de flujo del regulador

1. Con todas las perillas de control y la fuente de gas en la posición "OFF" (O), abra la tapa de la barbacoa.
2. Desconecte la manguera y el regulador del cilindro de gas LP.
3. Gire todas las perillas de control de la parrilla a la posición "ALTA".
4. Deje reposar de 1 a 3 minutos, para que se disipe el exceso de gas en las válvulas y el colector.
5. Gire todas las perillas de control de la parrilla a la posición "OFF" (O).
6. Con la tapa de la parrilla aún abierta, vuelva a conectar la manguera y el regulador al cilindro de gas LP; no enrosque la conexión. Apriete solo a mano.
7. Revise todas las conexiones de las mangueras para asegurarse de que estén bien selladas. Realice una prueba de fugas.
8. Abra lentamente el suministro de gas propano, de 1/4 a 1/2 vuelta.
9. Espere aproximadamente 5 segundos para que la presión de la manguera y del regulador se estabilice.
10. Gire la perilla de control del quemador seleccionado a la posición "ALTA".
11. Presione el botón de encendido o utilice la cerilla y el portacerillas o un encendedor de butano para encender el quemador seleccionado.

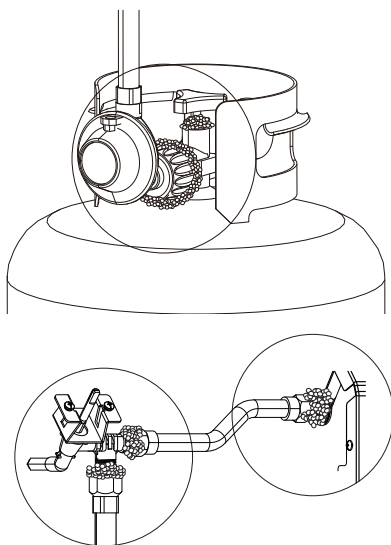
Evite activar la función de limitación de flujo siguiendo los procedimientos adecuados de arranque y apagado, y realizando una prueba de fugas completa y una verificación de seguridad para garantizar que no haya fugas en el sistema y que se haya realizado una conexión positiva entre la fuente de gas y el conjunto del colector.

Prueba de fugas

Nota: Retire todo el envoltorio, incluso las correas, antes de usar la aparato.

1. Humedece las uniones con una solución de agua y jabón empleando un pulverizador, una brocha o un trapo. Puedes hacer tu propia solución de agua y jabón mezclando un 20 % de jabón y un 80 % de agua; también puedes adquirir una solución de prueba de fugas en la sección de plomería de cualquier tienda de bricolaje.
2. Asegúrese que las válvulas de control estén apagadas y abra el suministro de gas.
3. Verifique todas las conexiones del regulador de gas LP y de la válvula de suministro, incluso la conexión al ensamble de la tubería del colector (la tubería que va hacia los mecheros). En caso de que haya alguna fuga, aparecerán burbujas de jabón.
4. En caso de que haya una fuga, cierre el suministro de gas de inmediato y ajuste los accesorios que tengan pérdidas.
5. Vuelve a encender el gas y verifique nuevamente.
6. En caso de que alguno de los accesorios siga teniendo pérdidas, cierre el suministro de gas y póngase en contacto con el servicio al cliente.
7. Si no aparecen burbujas, la prueba de fugas habrá concluido. Interrumpe el suministro de gas y enjuaga las conexiones con agua.

NOTA: Ciertas soluciones de prueba de fugas, incluidas las compuestas de agua y jabón, pueden resultar ligeramente corrosivas, por lo que es importante enjuagar bien todas las conexiones con agua después de la prueba. Sólo deben utilizarse en la aparato aquellas partes que recomienda el fabricante. El reemplazo de cualquier parte dejará sin efecto la garantía. No utilice la aparato hasta no haber verificado todas las conexiones y que éstas no pierdan.



ADVERTENCIA

Antes de utilizar la aparato, verifique todos los accesorios de suministro de gas para buscar posibles fugas. Si comienzan a aparecer burbujas "que crecen", hay una fuga. Cierre **INMEDIATAMENTE** la válvula de la bombona de gas. Si las burbujas continúan, aléjese **INMEDIATAMENTE** de la bombona de gas y contacte con el **DEPARTAMENTO DE EXTINCIÓN DE INCENDIOS (BOMBEROS)** (por ejemplo, 911).

Cerrando la Alimentación de Gas

Gire todos los mandos hasta la posición de **APAGADO**, y apague la bombona girando la llave manual en el sentido de las agujas del reloj hasta el tope.

Desconectando el Regulador de la Bombona de Gas

1. Cierre las válvulas de los mecheros.
2. Cierre por complete la válvula del tanque (gírela en sentido de las agujas del reloj para cerrarla).
3. Gire la tuerca de conexión en sentido contrario a las agujas del reloj para aflojar el conector. Afloje solo a mano. No utilice herramientas.
4. Cuando esté desconectado, el regulador debe colgarse del gancho incorporado al aparato.

PELIGRO

No inserte ninguna herramienta u objeto extraño en la salida de la válvula o la válvula de seguridad. Puede dañar la válvula y provocar una fuga. Las fugas de gas pueden provocar una explosión, un incendio, daños personales graves o la muerte.

- Nunca intente conectar este aparato al sistema autónomo de gas de una caravana, un remolque o una autocaravana.
- El regulador de presión y el conjunto de manguera suministrados con el aparato deben ser los utilizados. Los reguladores de presión de repuesto y los conjuntos de mangueras deben ser los especificados por el fabricante.
- No utilice el aparato hasta haber comprobado que no haya fugas.
- Si se detecta una fuga en cualquier momento, **DETÉNGASE**.
- Si no puede detener una fuga de gas, cierre inmediatamente la válvula de la bombona de gas, aléjese del aparato y llame al proveedor de la bombona o al Departamento de Extinción de Incendios (bomberos).
- Apague la bombona de suministro de gas cuando no esté en uso.

Instrucciones de Encendido

Encendido del Quemador Principal

1. Mantenga la tapa abierta durante el encendido.
2. Asegúrese de que todas las perillas de control estén en la posición "APAGADO" y cierre la válvula del cilindro de gas LP.
3. Abra la válvula del cilindro de gas LP y espere 5 segundos.
4. Presione hacia adentro la segunda perilla de control de encendido desde la izquierda y gírela a la posición alta (⚡/🔥).
5. Presione el botón de encendido (🔥).
6. Si el encendido no se produce en 5 segundos, apague la(s) perilla(s) del quemador, espere 5 minutos y repita el procedimiento de encendido.

Encendido del Quemador Lateral

1. Mantenga la tapa abierta durante el encendido.
2. Asegúrese de que la perilla de control del quemador lateral esté en la posición "APAGADO".
3. Abra la válvula del cilindro de gas LP y espere 5 segundos.
4. Presione hacia adentro y gire la perilla de control del quemador lateral a la posición alta (🔥).
5. Presione el botón de encendido (🔥).
6. Si el encendido no se produce en 5 segundos, apague la perilla del quemador, espere 5 minutos y repita el procedimiento de encendido.

Encendido del Quemador para Sellado (Sear Burner)

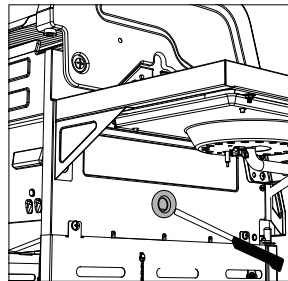
1. Mantenga la tapa abierta durante el encendido.
2. Asegúrese de que la perilla de control del quemador para sellado esté en la posición "APAGADO".
3. Presione hacia adentro y gire la perilla de control del quemador del horno situada en el extremo derecho en sentido contrario a las agujas del reloj hasta la posición alta (⚡/🔥). Escuchará un sonido de clic cuando se active el encendedor.
4. Si el encendido no se produce en 5 segundos, apague la(s) perilla(s) del quemador, espere 5 minutos y repita el procedimiento de encendido.

APAGAR LA PARRILLA

1. Apague el suministro de gas en el bombona de gas girando la válvula en el sentido horario.
2. Gire todas las perillas de control del quemador a la posición OFF.

Encendido Manual

1. Gire las válvulas de control del quemador de gas a la posición (apagado).
2. Abra la tapa durante el encendido o reencendido.
3. Abra la válvula del gas en el cilindro de GLP.
4. Presione y gire la perilla de control a la posición máxima (⚡/🔥).
5. Inserte un encendedor para barbacoa a través del orificio de encendido en el lado izquierdo o derecho de la caja del quemador. Asegúrese de que el quemador esté encendido.
6. Encienda los quemadores adyacentes en secuencia presionando las perillas y girándolas a la posición máxima (🔥).



ADVERTENCIA

¡No utilice alcohol o gasolina para encender o volver a encender!

Comprobación de la Llama del Quemador

Compruebe siempre los patrones de llama del quemador después de encenderlo. Una buena llama debe ser principalmente azul con una punta amarilla y tener una cantidad mínima de parpadeo. Los nuevos quemadores a veces tienen residuos de aceite, que causarán llama amarilla cuando se queman. Los cambios en el suministro de gas, la altitud del mar, el tiempo y otros factores influyen en el rendimiento de los quemadores. Las parrillas más viejas también pueden mostrar más llama amarilla debido al depósito de alimentos, aceite y acumulación de grasa.

Bueno



Malo





PRECAUCIÓN

Tenga cuidado con los fogonazos

PRECAUCIÓN: Las arañas e insectos pequeños pueden ocasionalmente tejer telillas o hacer nidos en los tubos de los mecheros de la aparato durante el transporte o mientras están en el depósito.

Estas telillas pueden causar obstrucciones en el flujo de gas, que podrían hacer que se quemen los tubos de los mecheros y las áreas circundantes.

Esta clase de fuego se denomina "FOGONAZO" y puede provocar daños serios en la aparato y crear una condición de operación insegura para el usuario. Aunque el tubo de un mechero obstruido no es la única causa para que se genere un "FOGONAZO", es la más común.

A fin de minimizar las probabilidades de que ello ocurra, usted debe limpiar los tubos de los mecheros antes de armar la aparato y luego por lo menos una vez al mes hacia el final del verano o a principios del otoño que es cuando las arañas tienen mayor actividad. Asimismo realice este procedimiento de limpieza si usted no ha usado la aparato durante un tiempo prolongado. Un tubo obstruido puede ocasionar un incendio debajo de la aparato.

USO POR PRIMERA VEZ

Antes de cocinar por primera vez en su parrilla a gas, enciéndala para deshacerse de cualquier olor o materia extraña de la siguiente forma:

1. Con las rejillas de cocción colocadas en su lugar, encienda la parrilla a gas y déjela funcionar en "ALTA (HIGH)" entre 10 y 15 minutos. A continuación, cierre el suministro de la fuente de gas y haga girar todas las perillas de control a la posición de "APAGADO (OFF)".
2. Cuando la parrilla se haya enfriado, retire las rejillas de cocción y lave con un agua jabonosa tibia y seque con una tela suave no abrasiva. A continuación, acondicione bien las rejillas de cocción rociándolas o untándolas con aceite de oliva o aceite vegetal. Asegúrese de que toda la superficie esté abundantemente cubierta incluyendo las esquinas. En el caso de las rejillas de cocción de hierro fundido, el acondicionamiento debe realizarse cada vez que vaya a usar la parrilla.
3. Ya está todo listo para asar. Proceda a realizar el "PRECALENTAMIENTO"

PRECALENTAMIENTO

Es necesario precalentar el parrilla antes de cocinar determinados alimentos, según el tipo de alimento y la temperatura de cocción. Precaliente la parrilla a gas en MEDIA/ALTA con la cubierta cerrada durante diez minutos. Reduzca la temperatura hasta un punto adecuado para lo que vaya a asar. A continuación, unte o rocíe las rejillas con aceite vegetal o con aceite de oliva para evitar que los alimentos se peguen.

POSICIÓN DE LA CUBIERTA:

La posición de la cubierta durante la cocción es una cuestión de preferencia personal, pero la parrilla a gas cocina más rápido, consume menos gas y controla mejor la temperatura cuando la cubierta está cerrada. Mantener la cubierta cerrada también le infunde a la carne asada directamente sobre la rejilla un sabor más ahumado, y es esencial para asados ahumados o por cocción por convección indirecta.

COCINAR CON CALOR INDIRECTO:

Puede cocinar aves de corral y grandes cortes de carne lentamente a la perfección en un lado de la parrilla por el calor indirecto del quemador en el otro lado. El calor del quemador encendido circula suavemente por la parrilla, cocinando así la carne o el ave sin que ninguna llama directa la toque. Este método reduce en gran medida el riesgo de brotes al cocinar cortes grasos adicionales, ya que no hay llama directa para quemar la grasa y los jugos que gotean durante la cocción.



PRECAUCIÓN

1. Mantener el área del aparato de gas para cocina exterior libre y despejada de materiales combustibles, gasolina y otros vapores y líquidos inflamables.
2. No obstruir el flujo de aire para la combustión y ventilación.
3. Mantener la(s) abertura(s) de ventilación del compartimiento del cilindro libre(s) y despejada(s) de residuos.
4. Verificar visualmente las llamas del quemador, incluida la llama del quemador piloto si está provisto, con representaciones pictóricas.
5. Limpiar el aparato de gas para cocina exterior, incluidas superficies especiales, con los agentes de limpieza recomendados, si es necesario.
6. Verificar y limpiar los tubos del quemador/venturi de insectos y nidos de insectos. Un tubo obstruido puede provocar un incendio debajo de la parrilla.

Limpeza general de la parrilla

- No confunda la acumulación de grasa y de humo, de color marrón o negro, con la pintura. La parte interna de las parrillas a gas no vienen pintadas de fábrica (y nunca se deben pintar). Aplique una solución concentrada de detergente y de agua, o use un limpiador para parrillas con un cepillo de cerdas resistentes, cepillando la parte interna de la tapa de la parrilla y el fondo de la misma. Enjuáguelos y deje que se sequen completamente al aire. No aplique productos de limpieza cáusticos para parrillas / productos de limpieza de hornos a las superficies pintadas.
- **Piezas plásticas:** Lávelas con agua jabonosa tibia y séquelas con un paño.
- No use citrisol, productos de limpieza abrasivos, desgrasadores ni productos de limpieza de parrillas concentrados para las piezas plásticas. Las mismas se pueden dañar y causar fallas.
- **Superficies porcelanizadas:** Debido a su composición vítrea, la mayoría de los residuos se puede eliminar con un paño empapado en una solución de bicarbonato de soda y agua, o con un limpiador especialmente formulado. Use un polvo limpiador no abrasivo para las manchas difíciles de eliminar.
- **Superficies pintadas:** Lávelas con un detergente suave o un limpiador no abrasivo y agua tibia jabonosa. Séquelas con un paño suave, no abrasivo.
- **Superficies de acero inoxidable:** Para conservar el aspecto de alta calidad de su parrilla, lávela con un detergente suave y con agua jabonosa tibia y frótela con un paño suave para secarla, cada vez después de usarla. Es posible que para los depósitos de grasa quemada deba usar una almohadilla de limpieza abrasiva de plástico. Para evitar que se dañe, úsela únicamente en la dirección de pulido del acabado. No use almohadillas abrasivas en las áreas donde hayan dibujos.
- **Superficies para cocinar:** Si utiliza un cepillo de cerdas para limpiar las superficies para cocinar, antes de usar la parrilla verifique que no queden cerdas sueltas sobre éstas. Se recomienda no limpiar las superficies para cocinar cuando la parrilla esté aún caliente.

LIMPIEZA DE LOS QUEMADORES

1. Asegúrese de que el gas esté apagado en el bombona de gas.
2. Retire las rejillas de cocción y los domadores de llama.
3. Levante cada quemador hacia arriba y hacia fuera.
4. Limpie el interior del quemador con un cable rígido. Una percha enderezada funcionará. Una alternativa es utilizar aire comprimido. Siempre use equipo protector para sus ojos cuando use este método. Nunca agrande los puertos del quemador durante la limpieza.
5. Cepille la superficie exterior del quemador.
6. Asegúrese de que todos los puertos (agujeros) estén libres de escombros.
7. Inspeccione los quemadores. Reemplace cualquiera que tenga grietas o puertos agrandados.
8. Reemplace domadores de llama y rejillas de cocción.
9. Realice la prueba de fugas descrita anteriormente en este Manual del Usuario.

Cómo guardar su parrilla

1. Limpie la parrilla antes de almacenarla. Almacenar en un lugar seco.
2. El almacenamiento de una parrilla de gas en el interior sólo es permisible si el bombona de gas se desconecta y se retira de la parrilla de gas.
3. Se recomienda una cubierta para proteger su parrilla. Puede elegir entre una variedad de cubiertas para parrilla de cocina ofrecidas por fabricantes.
4. Realice una prueba de fugas antes de usar la parrilla después de que se ha mantenido en el almacenamiento durante algún tiempo.

Emergencias	Causa Posible	Prevención/Solución
Fuga de gas de manguera agrietada/cortada/quemada	Manguera dañada	Apague el gas en el bombona de gas, si la manguera está cortada o agrietada, reemplace la manguera. Realice una prueba de fuga del bombona de gas y compruebe la conexión del regulador al bombona de gas.
Fuga de gas del bombona de gas	Falla mecánica debido al envejecimiento o mal manejo	Apague la válvula del bombona de gas. Póngase en contacto con su distribuidor de LP o llame al 911.
Fuga de gas de la válvula del bombona de gas	Falla de la válvula del bombona debido a un mal manejo o falla mecánica	Cierre la válvula del bombona de gas. Devuelva el bombona de gas al proveedor de gas.
Fuga de gas entre el bombona de gas y la conexión del regulador	Instalación incorrecta, conexión suelta, falla de sello de goma	Cierre la válvula del bombona de gas líquido, retire el sello de goma en busca de daños. Realice una prueba de fugas en el bombona de gas y verifique la conexión regulador del cilindro e inspeccione visualmente el del regulador al bombona de gas.
Fuego que viene a través del panel de control	Fuego en la sección del tubo del quemador debido a un bloqueo parcial	Apague las perillas de control y la válvula del tanque LP. Después de que el fuego se apague y la parrilla esté fría, retire el quemador e inspeccione si hay nidos de arañas u óxido. Consulte los peligros naturales y la limpieza de las páginas de montaje del quemador.

Problema	Causa Posible	Prevención/Solución
Fuego de grasa o llama excesiva continua por encima de la superficie de cocción	Demasiada acumulación de grasa en el área del quemador	Apague el bombona de gas. Deje la tapa abierta para permitir que las llamas se apaguen. Una vez enfriado, limpie las partículas de alimentos y el exceso de grasa del interior del área de la caja de fuego, la taza de grasa/pan/bandeja y otras superficies.
El quemador no se enciende con el encendedor	<p>Problemas con el gas:</p> <ol style="list-style-type: none"> 1. Tratando de encender el quemador equivocado 2. Quemador no conectado con la válvula de control 3. Obstrucción en el quemador 4. Sin flujo de gas 5. Bloqueo de vapor en la tuerca de acoplamiento al bombona de gas 6. La tuerca de acoplamiento y la válvula del bombona de gas no están completamente conectadas 	<ol style="list-style-type: none"> 1. Consulte las instrucciones en el panel de control. 2. Asegúrese de que la válvula esté colocada dentro de los tubos del quemador. 3. Asegúrese de que los tubos del quemador no estén obstruidos con telarañas u otro material; ver sección de limpieza y mantenimiento. 4. Asegúrese de que el bombona de gas no esté vacío. Si el bombona de gas no está vacío, compruebe caída repentina en el flujo de gas. 5. Apague las perillas y desconecte la tuerca de acoplamiento del bombona de gas. Vuelva a conectar y vuelva a intentarlo. 6. Gire la tuerca de acoplamiento aproximadamente de la mitad a tres cuartas partes.
	<p>Problemas eléctricos:</p> <ol style="list-style-type: none"> 1. Electrodo agrietado o roto; chispas en la grieta. 2. Punta del electrodo no en la posición adecuada. 3. Alambre y/o electrodo cubierto con residuos de cocción. 4. Los cables están sueltos o desconectados. 5. Los cables están cortocircuitando entre el encendedor y el electrodo. 6. El botón pulsador se pega en la parte inferior y genera chispas entre el encendedor y el electrodo. 	<ol style="list-style-type: none"> 1. Reemplace el electrodo. 2. La punta del electrodo debe apuntar hacia el orificio del puerto en el quemador. La distancia debe ser de 1/8" a 3/16". Ajuste si es necesario. 3. Limpie el alambre y o el electrodo con alcohol de frotar y un hisopo limpio. 4. Reconecte los cables o reemplace el conjunto de electrodos/cables. 5. Reemplazar el cable del encendido. 6. Reemplace el encendedor. 7. Inspeccione el aislamiento del cable y la conexión adecuada. Reemplace los cables si el aislamiento está roto.

Problema	Causa Posible	Prevención/Solución
El quemador no se enciende con el encendedor	Problema del encendedor: 1. Pila de encendido agotada 2. Revise la orientación de la pila NOTA: Intente encender el quemador manualmente con un fósforo. Si el quemador se enciende correctamente, se trata de un problema del encendedor.temperature	1. Reemplace la pila. 2. Instale la pila (verifique que los conectores "+" y "-" estén orientados correctamente, con el extremo "+" de la tapa.) Vuelva a atornillar la tapa del encendedor y asegúrese de que las roscas estén bien alineadas.
Caída repentina del flujo de gas o baja llama	1. Acumulación de grasa. 2. Grasa excesiva en la carne. 3. Temperatura de cocción excesiva	1. Limpie los quemadores y el interior de la parrilla/caja de fuego. 2. Recorte la grasa de la carne antes de asar a la parrilla.
La llama se apaga	Vientos altos o ráfagas. Gas bajo en LP. Válvula de flujo excesivo disparado.	Gire la parte delantera de la parrilla para enfrentar el viento o aumentar la altura de la llama. Rellene el bombona de gas.
Fuego persistente de grasa	Grasa atrapada por la acumulación de alimentos alrededor del sistema del quemador	Gire las perillas a OFF. Apague el gas en el bombona de gas. Deje la tapa en su posición y deje que el fuego se queme. Después de que la parrilla se enfríe, retire y limpie todas las piezas.
Escena retrospectiva... (fuego en el(los) tubo(s) del quemador)	El quemador y los tubos del quemador están bloqueados	Gire las perillas a la posición OFF. Limpie el quemador y/o los tubos del quemador. Consulte la sección de limpieza del quemador en limpieza y mantenimiento.
Estalla	1. Acumulación de grasa. 2. Grasa excesiva en la carne. 3. Temperatura de cocción excesiva.	1. Limpie los quemadores y el interior de la parrilla/caja de fuego. 2. Recorte la grasa de la carne antes de asar a la parrilla.
No se puede llenar el bombona de gas	Algunos distribuidores tienen boquillas de relleno más antiguas con hilos desgastados.	Al girar las boquillas gastadas, no tienen suficiente "mordida" para activar la válvula. Pruebe con un distribuidor de LP diferente.
Un quemador no se enciende desde otro (s) quemador (s)	Acumulación de grasa o partículas de comida en el extremo del tubo de arrastre	Limpie el tubo de transporte con cepillo de alambre.

Gracias por comprar esta parrilla **FEASTO**®.

El FEASTO le garantiza únicamente al consumidor-comprador original, que este producto no presentará defectos de mano de obra ni de materiales, si se los ensambla correctamente, se los utiliza de forma normal y se los cuida según las recomendaciones, durante un período de 1 año a partir de la fecha de compra original. La garantía de FEASTO no cubre el acabado de la pintura ya que puede salirse durante el uso normal.

RUST no se considera una de fabricación o materiales defecto.

Durante el período de vigencia establecido de la garantía, FEASTO, a su criterio, reemplazará los componentes defectuosos sin costo alguno, debiendo hacerse responsable el propietario de los gastos de envío. FEASTO se reserva el derecho de exigir la devolución de las piezas defectuosas, enviadas con el porte o el flete pagado por el consumidor, para ser revisadas y examinadas. En cas de problèmes de disponibilité des pièces, FEASTO se réserve le droit de remplacer des pièces similaires qui sont également fonctionnels. Después de la fecha de vencimiento de la garantía, finalizarán todas las responsabilidades

Nota: Esta garantía limitada solo está disponible para el propietario original del producto y no es transferible. A fecha de recibo con el número de modelo y el número de serie de compra serán necesarios para el servicio de garantía.

Esta garantía limitada no ampara el costo en el que se incurra por inconvenientes, alimentos, lesiones ni daños a la propiedad. Cualquier cobertura de garantía será nula si esta aparato se utiliza con fines comerciales o de alquiler. Esta garantía limitada atañe ÚNICAMENTE al funcionamiento del producto y no ampara rayones, abolladuras, corrosión ni decoloración ocasionada por el calor, los productos de limpieza abrasivos y químicos, ni por las herramientas usadas en el armado o en la instalación del aparato, oxidación de las superficies ni decoloración de las superficies de acero inoxidable.

LO QUE NO ESTÁ CUBIERTO EN EL SERVICIO DE GARANTÍA

Cualquier falla o problema de funcionamiento debido a un accidente, uso indebido o incorrecto, alteración, uso para otros fines, vandalismo, instalación incorrecta o mantenimiento o reparación inadecuados, o el incumplimiento del mantenimiento de rutina, incluyendo, pero sin limitarse a, daños causados por insectos dentro de los tubos del quemador, como se especifica en el manual del propietario.

Deterioro o daños debidos a condiciones meteorológicas severas, como granizo, huracanes, terremotos o tornados, decoloración debido a exposición a productos químicos ya sea directamente o en el ambiente.

Costo de llamadas de servicios.

Costos de envío o transportación.

La recogida y el envío de su producto.

Costos de devolución o reinstalación.

Costo de mano de obra por reinstalación o reparaciones.

Responsabilidad por daños indirectos o consiguientes.

Esta garantía Limitada es la única garantía entregada por FEASTO y eemplaza a todas las demás garantías, expresas o implícitas, incluidas las garantías implícitas de comercialización o idoneidad para cualquier fin en particular. Ni FEASTO ni el establecimiento minorista que ofrece este producto, tienen autoridad alguna para otorgar garantías o prometer otros recursos que sean adicionales o inconsistentes con los establecidos previamente.

La responsabilidad máxima de FEASTO, en todos los casos, no superará el precio de compra del producto que el cliente o comprador original pagó. Algunos estados no permiten la exclusión o limitación de daños accidentales o resultantes. En dicho caso, no se aplicarán las exclusiones o limitaciones anteriores.

No devuelva piezas sin antes obtener la autorización de devolución de nuestro departamento de servicio al cliente.

Si tiene alguna duda sobre el nuevo montaje, la garantía o el anexo, por favor póngase en contacto con nuestro servicio al cliente. Estaremos encantados de ofrecer cualquier pieza de repuesto que necesite durante el período de garantía.



service@feastooutdoors.com



1-470-589-8732



Lun.–Vie. 8:30 AM-5: 30 PM, EST

TABLE DES MATIÈRES

Pour votre sécurité	27-29
Réservoir LP	30-33
Instructions d'utilisation	34-35
Nettoyage et entretien	36
Guide de dépannage	37-38
Garantie Limitée	39
Schéma des pièces	40
Liste des pièces et du matériel	41-43
Assemblage	43-61

CONSERVER CES INSTRUCTIONS

Ce manuel d'utilisation contient des informations importantes nécessaires au bon assemblage et à l'utilisation en toute sécurité de l'appareil. Lisez et suivez tous les avertissements et instructions avant d'assembler et d'utiliser l'appareil.

Appelez-nous d'abord !

NE renvoyez PAS le grill au détaillant. Ce grill a été conçu selon des normes de qualité élevées. Si vous avez des questions qui ne sont pas traitées dans ce manuel de l'utilisateur ou si vous avez besoin de pièces détachées, veuillez appeler notre service de clientèle 470-589-8732.

Symboles de sécurité

Vous trouverez ci-dessous une explication du sens de chaque symbole. Lisez et respectez toutes les consignes qui apparaissent partout dans ce guide.



Indique des conditions qui représentent un danger imminent; à défaut de prendre les mesures correctives appropriées, la mort ou de graves blessures s'ensuivront.



Indique des conditions qui représentent un risque d'accident; à défaut de prendre les mesures correctives appropriées, la mort ou de graves blessures s'ensuivront.



Indique une situation potentiellement dangereuse ou une pratique à risque qui, si elle n'est pas évitée, pourrait entraîner des blessures mineures ou modérément graves.



MISE EN GARDE

Pour utilisation domestique uniquement. Ne pas utiliser à des fins commerciales.

Lire et respecter toutes les consignes de sécurité, les instructions d'assemblage et les directives d'emploi et d'entretien avant d'essayer d'assembler cet appareil ou de l'utiliser pour la cuisson. Certaines pièces peuvent être munies de bords coupants. Portez des gants de protection au besoin.

- Cet appareil de cuisson au gaz pour usage extérieur doit être utilisé uniquement en plein air et ne doit pas être utilisé dans un bâtiment, un garage ou tout autre espace clos.
- Cet appareil de cuisson au gaz pour usage extérieur n'est pas destiné à être installé sur des bateaux ou à l'intérieur de ceux-ci.
Inspectez le tuyau avant chaque utilisation de l'appareil de cuisson au gaz pour usage extérieur. S'il est évident que l'abrasion ou l'usure est excessive, ou si le tuyau est coupé, il doit être remplacé avant la mise en service de l'appareil. L'ensemble de tuyau de remplacement doit être celui spécifié par le fabricant.
- Un appareil de cuisson au gaz pour usage extérieur peut être stocké à l'intérieur uniquement si la ou les bouteilles sont débranchées et retirées de l'appareil.
- Les bouteilles doivent être stockées à l'extérieur, hors de portée des enfants, et ne doivent pas être stockées dans un bâtiment, un garage ou tout autre espace clos.
- Le régulateur de pression et l'ensemble de tuyau fournis avec l'appareil de cuisson au gaz pour usage extérieur doivent être utilisés. Les régulateurs de pression et ensembles de tuyau de remplacement doivent être ceux spécifiés par le fabricant de l'appareil.

Température ambiante minimale de fonctionnement : 0 °F (-18 °C)

Incendies de Graisse

- Il n'est pas possible d'éteindre des incendies de graisse en fermant le couvercle. Les grils sont bien aérés pour des raisons de sécurité.
- N'utilisez pas d'eau pour éteindre un incendie de graisse. Cela pourrait causer des blessures. Si un incendie de graisse se déclare, fermez les boutons et l'alimentation en gaz du réservoir de GPL.
- Si le gril n'a pas été nettoyé régulièrement, un feu de graisse pourrait s'ensuivre et endommager le produit. Surveillez bien le gril durant le préchauffage ou lorsque vous brûlez des résidus d'aliments au cas où un feu de graisse se produirait.
- La meilleure façon d'empêcher les feux de friture est de procéder à un nettoyage régulier du gril en suivant les consignes indiquées dans le guide sous les rubriques Nettoyage général du gril et Nettoyer le dispositif du brûleur.



DANGER



Si vous sentez du gaz:

- Coupez l'alimentation en gaz du gril.
- Éteignez toute flamme nue.
- Ouvrez le couvercle.
- Si une odeur persiste, éloignez-vous du gril et appelez immédiatement les pompiers.



AVERTISSEMENT

- Ne pas stocker ou utiliser d'essence ou d'autres liquides ou vapeurs inflammables à proximité de cet appareil ou de tout autre appareil.
- Une bouteille de GPL non raccordée ne doit pas être entreposée à proximité de cet appareil ou de tout autre appareil.



AVERTISSEMENT

CALIFORNIA PROPOSITION 65

1. Les sous-produits de combustion générés lors de l'utilisation de ce produit contiennent des produits chimiques qui, selon l'État de la Californie, causent le cancer, des anomalies congénitales ou d'autres dangers pour la reproduction.
2. Cet article contient des produits chimiques, y compris du plomb et des composés de plomb, qui, selon l'État de la Californie, causent le cancer, des anomalies congénitales ou d'autres dangers pour la reproduction.

Pour plus d'informations, visitez le site:
www.P65Warnings.ca.gov

Veillez vous laver les mains après avoir manipulé ce produit.

Mesures de sécurité pendant l'installation

- Utilisez grill, comme l'achat, avec seulement LP (propane) du gaz et le régulateur / valve de montage fourni. Si votre barbecue est prêt Dual Fuel, un kit de conversion doit être acheté pour une utilisation avec du gaz naturel.
- L'installation du gril doit se conformer aux codes locaux, ou en leur absence, au National Fuel Gas Code, ANSI Z223.1/ NFPA 54, Natural Gas and Propane Installation Code, CSA B149.1, au Code sur le stockage et la manipulation du propane B149.2.

Consignes de sécurité

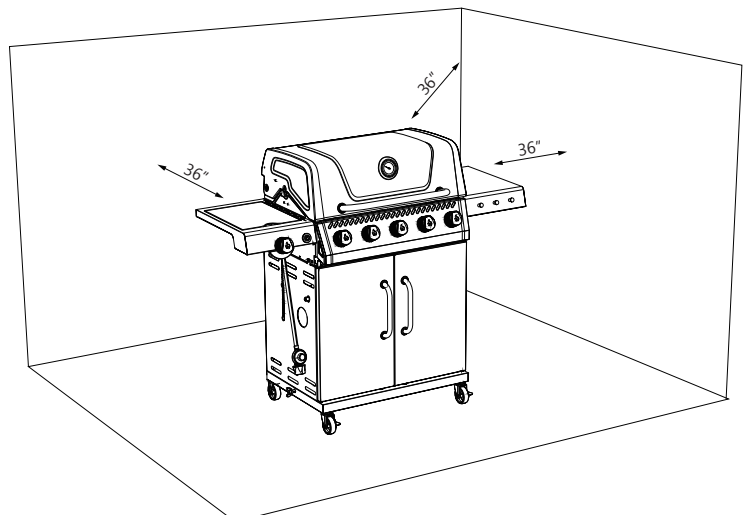
- Lorsque vous n'utilisez pas le gril, mettez tous les boutons de réglage et la valve du réservoir de GPL en position d'arrêt.
- Ne déplacez jamais le gril lors de l'utilisation ou pendant qu'il est encore chaud.
- Certaines surfaces seront chaudes pendant l'utilisation de l'appareil. Utilisez des ustensiles de cuisson à long manche et des gants afin d'éviter les brûlures et les éclaboussures.
- Le brûleur latéral et la tablette latérale supportent une charge maximale de 10 lb.
- Le plateau ou le réservoir d'écoulement de la graisse doit être en place quand vous utilisez le gril et être vidé après chaque utilisation. N'enlevez pas le plateau ou le réservoir d'écoulement de la graisse avant que le gril ne soit complètement refroidi.
- Nettoyez souvent le gril, de préférence après chaque emploi. Si une brosse avec soies est employée pour nettoyer les surfaces de cuisson du gril, assurez-vous qu'aucune soie ne reste sur les surfaces avant de procéder à la cuisson. Il est déconseillé de nettoyer les surfaces de cuisson alors que le gril est chaud.
- Ne rangez pas d'objets ou de matériaux à l'intérieur du chariot du gril et contribuant à bloquer la circulation d'air dans la partie inférieure du tableau de commande ou de la cuvette du foyer.
- Le régulateur peut émettre un bourdonnement ou un sifflement en cours de fonctionnement. Cela n'affecte ni la sécurité ni le bon fonctionnement du gril.



MISE EN GARDE

1. Un appareil est considéré comme installé à l'extérieur s'il est placé dans un abri dont la protection n'est pas supérieure à celle offerte par des murs sur trois côtés, mais sans aucune couverture supérieure ; toutes les ouvertures doivent être permanentes ; les portes coulissantes, les portes de garage, les fenêtres ou les ouvertures grillagées ne sont pas considérées comme des ouvertures permanentes.
2. Un appareil est considéré comme installé à l'extérieur s'il est placé dans un abri dont la protection n'est pas supérieure à celle d'un enclos partiel comprenant une couverture supérieure et pas plus de deux murs latéraux. Les murs latéraux peuvent être parallèles, comme dans un passage couvert, ou formant un angle droit entre eux ; toutes les ouvertures doivent être permanentes ; les portes coulissantes, les portes de garage, les fenêtres ou les ouvertures grillagées ne sont pas considérées comme des ouvertures permanentes.
3. Un appareil est considéré comme installé à l'extérieur s'il est placé dans un abri dont la protection n'est pas supérieure à celle d'un enclos partiel comprenant une couverture supérieure et trois murs latéraux, à condition que 30 % ou plus du périmètre horizontal de l'enclos soit en permanence ouvert ; toutes les ouvertures doivent être permanentes ; les portes coulissantes, les portes de garage, les fenêtres ou les ouvertures grillagées ne sont pas considérées comme des ouvertures permanentes.

L'appareil de cuisson au gaz pour usage extérieur ne doit pas être utilisé sous des constructions combustibles en surplomb. Un dégagement minimum de 36" (91 cm) doit être respecté sur les deux côtés et à l'arrière de l'appareil.



EXIGENCES RELATIVES AUX BOUTEILLES DE GAZ GPL

Les mesures doivent avoir un diamètre de 12" (30,5 cm) et une hauteur de 18" (45,7 cm), avec une capacité maximale de 20 lb. (9,1 kg).

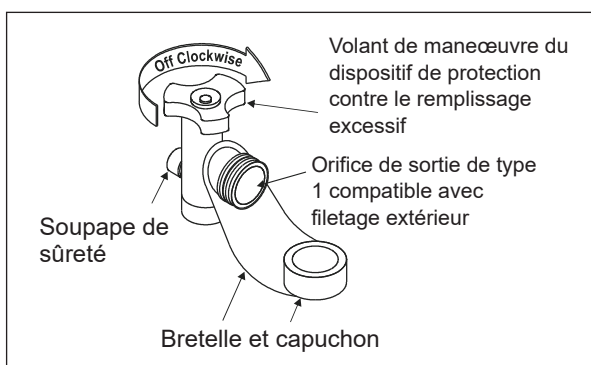
La bouteille de gaz liquéfié doit être fabriquée et marquée conformément aux spécifications pour les bouteilles de gaz de pétrole liquéfié du ministère américain des transports (DOT) ou de la norme nationale du Canada (CAN/CSA-B339), Bouteilles, sphères et tubes pour le transport de marchandises dangereuses.

Gaz de pétrole liquéfié (LP):

- Le gaz de pétrole liquéfié est inodore, non toxique et incolore lorsqu'il est produit. Pour votre sécurité, le gaz de pétrole liquéfié a été doté d'une odeur artificielle (semblable à celle des œufs pourris) afin que vous puissiez sentir s'il y a une fuite.
- Le gaz de pétrole liquéfié est très inflammable et peut s'enflammer inopinément lorsqu'il est combiné à l'air.

La valve du réservoir de GPL doit comporter:

- Un orifice de sortie de type 1 compatible avec le régulateur ou le grill.
- Une soupape de sûreté et de décharge.
- **Un dispositif de protection contre le remplissage excessif homologué UL.** Ce dispositif de sécurité est identifié par un unique volant de manœuvre triangulaire. Utilisez seulement des réservoirs dotés de ce type de valve.
- La bouteille de gaz propane doit être positionnée verticalement de façon à permettre l'élimination des vapeurs et elle doit comprendre un collier pour protéger le robinet de la bouteille. Toujours conserver les bouteilles de gaz propane en position verticale lors de leur utilisation, leur transport ou leur entreposage.



Gaz de pétrole liquéfié (LP):

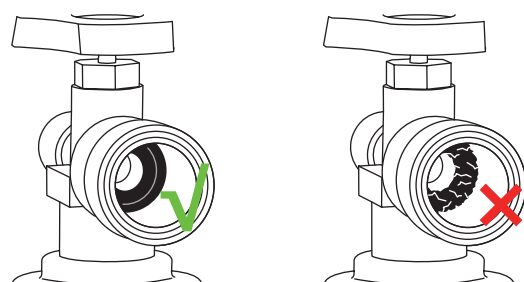
- Le gaz de pétrole liquéfié est inodore, non toxique et incolore lorsqu'il est produit. Pour votre sécurité, le gaz de pétrole liquéfié a été doté d'une odeur artificielle (semblable à celle des œufs pourris) afin que vous puissiez sentir s'il y a une fuite.
- Le gaz de pétrole liquéfié est très inflammable et peut s'enflammer inopinément lorsqu'il est combiné à l'air.

Exigences relatives au réservoir de propane liquide

- Les mesures doivent avoir un diamètre de 12" (30,5 cm) et une hauteur de 18" (45,7 cm), avec une capacité maximale de 20 lb. (9,1 kg).
- La bouteille de gaz liquéfié doit être fabriquée et marquée conformément aux spécifications pour les bouteilles de gaz de pétrole liquéfié du ministère américain des transports (DOT) ou de la norme nationale du Canada (CAN/CSA-B339), Bouteilles, sphères et tubes pour le transport de marchandises dangereuses.

INSPECTION DU JOINT D'ÉTANCHÉITÉ EN CAOUTCHOUC DE LA BONBONNE DE GAZ PROPANE

- Inspectez le joint d'étanchéité en caoutchouc de la bonbonne de gaz propane à la recherche de fissures, d'usure ou de dégradation avant chaque usage. Un joint de caoutchouc endommagé peut entraîner une fuite de gaz, pouvant possiblement causer une explosion, un incendie ou des blessures graves.
- Il est recommandé d'inspecter le joint d'étanchéité en caoutchouc chaque fois que vous connectez la bonbonne de gaz propane à l'appareil, chaque fois qu'elle a été remplie ou si elle n'a pas été utilisée depuis plus de 60 jours.
- N'utilisez PAS une bonbonne de gaz propane dont le joint d'étanchéité en caoutchouc est endommagé. Le joint en caoutchouc NE PEUT PAS être réparé ou remplacé. Achetez une nouvelle bonbonne ou échangez-la. Vous devez faire l'inspection du joint d'étanchéité avant d'accepter une nouvelle bonbonne ou un échange. N'insérez PAS d'outils ou d'objets étrangers dans l'ouverture du robinet de la bonbonne, car cela pourrait endommager le joint d'étanchéité en caoutchouc.

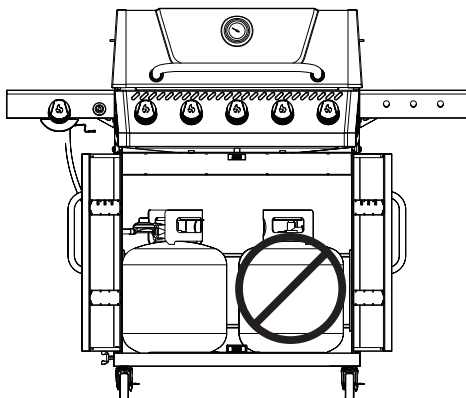


⚠ AVERTISSEMENT

- Toute tentative de raccordement d'un détendeur à un connecteur autre que le connecteur de type 1 correspondant peut entraîner des incendies, des explosions, des blessures ou des dommages matériels. N'utilisez que des bouteilles de GPL équipées de ce type de robinet.
- NE PAS connecter à une bouteille de propane d'une capacité supérieure à 20 lb (9,2 kg) ou utiliser une bouteille avec tout autre type de dispositif de connexion de valve de bouteille.
- Avant d'ouvrir la vanne de la bouteille de GPL, vérifiez que l'écrou de couplage est bien serré.

⚠ AVERTISSEMENT

- Fermez toujours le robinet de la bouteille lorsque le grill n'est pas utilisé.
- Manipulez toujours la valve de la bouteille de gaz GPL avec le plus grand soin.
- Ne jamais connecter une bouteille de gaz GPL non régulée au grill.
- Gardez toujours la bouteille, en cours d'utilisation, solidement fixée en position verticale.
- N'exposez jamais le cylindre à la lumière directe du soleil ou à une chaleur excessive.
- N'insérez jamais aucun objet dans la sortie de la vanne, car cela pourrait endommager le clapet antiretour. Un clapet antiretour endommagé peut fuir, ce qui peut provoquer des incendies, des explosions, des dommages matériels, des blessures graves ou la mort.
- Ne stockez pas une bouteille de GPL dans des espaces clos tels qu'un abri d'auto, un garage, un porche, une terrasse couverte ou tout autre bâtiment. Assurez-vous que la zone de stockage est bien ventilée.
- Ne stockez pas une bouteille de GPL dans une zone où des enfants jouent.



⚠ DANGER ⚠

- NE JAMAIS stocker une bouteille de GPL de rechange, vide ou pleine, sous ou à proximité de l'appareil.
- Ne remplissez jamais une bouteille à plus de 80%.
- Une bouteille trop remplie ou mal stockée constitue un danger en raison d'une possible libération de gaz par la soupape de sécurité. Cela pourrait provoquer un incendie ou une explosion avec risque de dommages matériels, de blessures graves ou de décès.
- Ne stockez pas d'objets ou de matériaux à l'intérieur de l'enceinte du chariot de barbecue qui pourraient bloquer le flux d'air de combustion vers le dessous du panneau de commande ou du boîtier du brûleur.
- Si vous voyez, sentez ou entendez du gaz s'échapper, éloignez-vous immédiatement de la bouteille de GPL ou de l'appareil et appelez les pompiers.

DE PLEIN AIR

- Un appareil est considéré comme étant à l'extérieur s'il est installé avec un abri ne dépassant pas trois côtés, mais sans couverture supérieure ; toutes les ouvertures doivent être ouvertes en permanence; les portes coulissantes, les portes de garage, les fenêtres ou les ouvertures grillagées ne sont pas considérées comme des ouvertures permanentes;
- Un appareil est considéré comme étant installé à l'extérieur s'il est installé sous un abri ne dépassant pas une enceinte partielle comprenant un toit et au maximum deux parois latérales. Ces parois peuvent être parallèles, comme dans un passage couvert, ou perpendiculaires l'une à l'autre; toutes les ouvertures doivent être ouvertes en permanence; les portes coulissantes, les portes de garage, les fenêtres ou les ouvertures grillagées ne sont pas considérées comme des ouvertures permanentes; ou
- Un appareil est considéré comme étant installé à l'extérieur s'il est installé dans un abri ne dépassant pas une enceinte partielle comprenant un couvercle supérieur et trois parois latérales, à condition que 30% ou plus de la périphérie horizontale de l'enceinte soit ouverte en permanence. Toutes les ouvertures doivent être ouvertes en permanence; les portes coulissantes, les portes de garage, les fenêtres ou les ouvertures grillagées ne sont pas considérées comme des ouvertures permanentes.

MODÈLES AU PROPANE

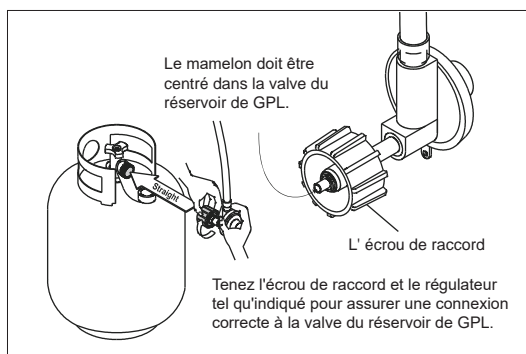
Utilisez uniquement le régulateur de pression de gaz fourni avec cet appareil de cuisson à l'extérieur. Ce régulateur est réglé pour une pression de sortie de 11 pouces de colonne d'eau.

QCC1 RACCORD À FERMETURE RAPIDE

Votre régulateur est équipé d'un système de connexion rapide QCC de Type 1. Il ne permet pas au gaz de s'écouler tant qu'un joint positif n'a pas été réalisé. Il est doté d'un élément thermique qui coupe le débit de gaz si la température atteint 115 °C (240 °F). Il dispose également d'un dispositif limiteur de débit lequel limite le débit de gaz à 10 pieds cubes par heure (10 pieds cubes par heure).

Connexion du régulateur au réservoir de GPL

1. Le réservoir de GPL doit être attaché à l'appareil de façon sécuritaire. (Reportez-vous à la section sur l'assemblage.)
2. FERMEZ tous les boutons de réglage.
3. Fermez le réservoir de gaz en tournant le volant de manœuvre de la valve à fond dans le sens des aiguilles d'une montre.
4. Enlever le capuchon de protection du robinet de la bouteille de gaz propane. Toujours utiliser le capuchon et la sangle fournis avec le robinet.
5. En tenant le régulateur, insérez le mamelon adaptateur dans la valve du réservoir de GPL. Serrez l'écrou de raccord à la main, en tenant le régulateur aligné avec la valve du réservoir de GPL de manière à ne pas fausser le filetage.
6. Serrez à fond l'écrou de raccord en tournant dans le sens des aiguilles d'une montre. Le régulateur s'attachera de façon étanche au dispositif de non-retour de la valve du réservoir de GPL ce qui occasionnera une certaine résistance. Une rotation supplémentaire d'un demi à trois quart de tour est nécessaire pour achever le raccordement. Ne serrez qu'à la main - n'utilisez pas d'outils.



REMARQUE: Si vous n'arrivez pas à compléter le raccordement, débranchez le régulateur et répétez les étapes 5 et 6. S'il vous est toujours impossible d'achever le raccordement, ne vous servez pas de ce régulateur!

TUYAU DE SÉCURITÉ ET RÉGULATEUR

Dispositif de limitation de débit du régulateur

Si vous rencontrez l'un des problèmes de performances suivants, vous avez peut-être activé la fonction de limitation de débit dans votre régulateur:

- Les brûleurs ne chauffent pas suffisamment
- Flamme faibles ou incomplètes
- Faible pression de gaz
- Brûleurs qui ne restent pas allumés

Réinitialisation de la fonction de débit du régulateur

1. Avec tous les boutons de commande et la source de gaz en position «OFF» (O), ouvrez le couvercle du barbecue.
2. Débranchez le tuyau et le régulateur de la bouteille de gaz GPL.
3. Tournez tous les boutons de commande du gril sur la position « HIGH ».
4. Laissez reposer 1 à 3 minutes, pour permettre à tout excès de gaz dans les soupapes et le collecteur de se dissiper.
5. Tournez tous les boutons de commande du gril sur la position « OFF » (O).
6. Avec le couvercle du barbecue toujours ouvert, rebranchez le tuyau et le régulateur à la bouteille de GPL; veillez à ne pas fausser le filetage. Serrez à la main uniquement.
7. Vérifiez l'étanchéité de tous les raccords de tuyaux. Effectuez un test d'étanchéité.
8. Ouvrez lentement l'alimentation en gaz propane, d'un quart à un demi-tour.
9. Attendez environ 5 secondes que la pression du tuyau et du régulateur se stabilise.
10. Tournez le bouton de commande du brûleur sélectionné sur la position « HIGH ».
11. Appuyez sur le bouton d'allumage ou utilisez l'allumette et le porte-allumette ou un briquet au butane pour allumer le brûleur sélectionné.

Évitez d'activer la fonction de limitation de débit en suivant les procédures de démarrage et d'arrêt appropriées et en effectuant un test d'étanchéité complet et un contrôle de sécurité pour vous assurer qu'il n'y a pas de fuite dans le système et qu'une connexion positive a été établie entre la source de gaz et le collecteur.

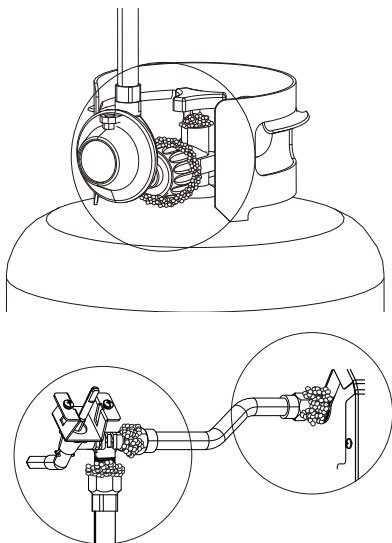
Test d'étanchéité

Remarque : avant d'utiliser le appareil, enlevez le matériau d'emballage, y compris les sangles.

1. Mouillez les raccords d'eau savonneuse à l'aide d'un flacon pulvérisateur, d'une brosse ou d'un chiffon. Vous pouvez préparer votre propre solution d'eau savonneuse en mélangeant une part de savon liquide à quatre parts d'eau. Autrement, vous pouvez vous procurer une solution de vérification des fuites dans le rayon de plomberie de n'importe quelle quincaillerie.
2. Assurez-vous que les valves de commande sont en position d'arrêt, OFF et ouvrez l'alimentation de gaz.
3. Assurez-vous que toutes les connexions du régulateur du gaz PL et de la valve d'alimentation jusqu'à et y compris le raccordement au tuyau du collecteur (le tuyau qui va aux brûleurs) sont bien serrées. Des bulles de savon se formeront s'il y a une fuite.
4. Si une fuite est présente, tournez immédiatement l'alimentation du gaz sur arrêt et resserrez les raccords ayant des fuites.
5. Remettez le gaz sur marche et effectuez un nouveau contrôle.
6. Si le gaz fuit toujours de l'un des raccords, tournez l'alimentation du gaz sur arrêt et contactez le service clientèle.
7. Si aucune bulle ne se forme, la vérification des fuites est terminée : Fermez l'alimentation en gaz et rincez les raccords avec de l'eau.

REMARQUE : Étant donné que certaines solutions de vérification des fuites, y compris l'eau savonneuse, peuvent être légèrement corrosives, il faut rincer tous les raccords avec de l'eau après la vérification des fuites.

Utilisez uniquement les pièces recommandées par le fabricant sur le appareil. Toute substitution annulerait la garantie. Ne pas utiliser le appareil sans avoir contrôlé tous les raccords et déterminer l'absence de fuites.



! AVERTISSEMENT

Avant chaque utilisation, vérifiez tous les raccords d'alimentation de gaz pour détecter les fuites. Si des bulles "grandissantes" commencent à apparaître, il y a une fuite. Fermez IMMÉDIATEMENT la vanne du réservoir de GPL. Si les bulles continuent, éloignez-vous IMMÉDIATEMENT du réservoir de PL et contactez les sapeurs pompiers (911 par exemple).

Couper l'alimentation en gaz

Tournez tous les boutons sur la position OFF, et éteignez le réservoir de GPL en tournant le volant dans le sens des aiguilles d'une montre jusqu'à la butée.

Débranchement du régulateur du réservoir de GPL

1. Mettez les valves de brûleurs sur arrêt (OFF).
2. Tournez le robinet de la bouteille complètement (dans le sens horaire pour l'arrêt).
3. Tournez l'écrou d'accouplement dans le sens inverse des aiguilles d'une montre pour desserrer le connecteur. Desserrer à la main uniquement. N'utilisez pas d'outils.
4. Lorsqu'il est déconnecté, le régulateur doit être accroché au crochet fixé à l'appareil.

! DANGER !

N'insérez aucun outil ou objet étranger dans la vanne soupape de décharge ou de sécurité. Vous risqueriez d'endommager la soupape et de provoquer une fuite. Une fuite de gaz peut entraîner une explosion, un incendie, des blessures graves ou la mort.

- N'essayez jamais de fixer cet appareil au système autonome de gaz GPL d'un camping-car ou d'une caravane.
- Le régulateur de pression et le tuyau fournis avec l'appareil doivent être utilisés. Les régulateurs de pression et les flexibles de rechange doivent être spécifiés par le fabricant.
- N'utilisez pas l'appareil avant d'avoir vérifié l'étanchéité.
- Si une fuite est détectée à tout moment, ARRÊTEZ.
- Si vous ne pouvez pas arrêter une fuite de gaz, fermez immédiatement le robinet du réservoir de GPL, éloignez-vous de l'appareil et appelez le fournisseur de GPL ou les pompiers !
- Fermez la bouteille de gaz lorsqu'elle n'est pas utilisée.

Instructions d'allumage

Allumage du Brûleur Principal

1. Ouvrez le couvercle pendant l'allumage.
2. Assurez-vous que tous les boutons de commande sont en position "ARRÊT", et fermez le robinet de la bouteille de gaz (LP).
3. Ouvrez le robinet de la bouteille de gaz (LP) et attendez 5 secondes.
4. Enfoncez le deuxième bouton de commande d'allumage en partant de la gauche et tournez-le sur la position maximale (⚡/🔥).
5. Appuyez sur le bouton d'allumage (🔥).
6. Si l'allumage ne se produit pas en 5 secondes, éteignez le(s) bouton(s) du brûleur, attendez 5 minutes, et répétez la procédure d'allumage.

Allumage du Brûleur Latéral

1. Ouvrez le couvercle pendant l'allumage.
2. Assurez-vous que le bouton de commande du brûleur latéral est en position "ARRÊT".
3. Ouvrez le robinet de la bouteille de gaz (LP) et attendez 5 secondes.
4. Enfoncez et tournez le bouton de commande du brûleur latéral sur la position maximale (🔥).
5. Appuyez sur le bouton d'allumage (🔥).
6. Si l'allumage ne se produit pas en 5 secondes, éteignez le bouton de commande du brûleur, attendez 5 minutes, puis répétez la procédure d'allumage.

Allumage du Brûleur de Saisissage (Sear Burner)

1. Ouvrez le couvercle pendant l'allumage.
2. Assurez-vous que le bouton de commande du brûleur de saisissage est en position "ARRÊT".
3. Enfoncez et tournez le bouton de commande du brûleur de four situé à l'extrême droite dans le sens inverse des aiguilles d'une montre vers la position maximale (⚡/🔥). Vous entendrez un cliquetis lorsque l'allumeur s'activera.
4. Si l'allumage ne se produit pas en 5 secondes, éteignez le(s) bouton(s) de commande du brûleur, attendez 5 minutes, puis répétez la procédure d'allumage.

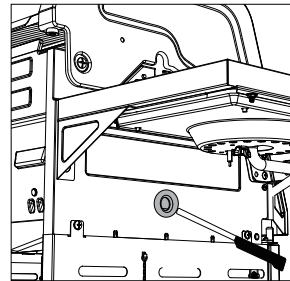


AVERTISSEMENT

N'utilisez pas d'alcool ou d'essence pour allumer ou rallumer!

Allumage Manuel

1. Tournez les robinets de commande du brûleur à gaz sur (arrêt).
2. Ouvrez le couvercle pendant l'allumage ou le rallumage.
3. Ouvrez le robinet de gaz de la bouteille de GPL.
4. Appuyez et tournez le bouton de commande sur la position maximale (⚡/🔥).
5. Insérez un allume-barbecue à travers le trou d'allumage sur le côté gauche ou droit de la boîte du brûleur. Assurez-vous que le brûleur est allumé.
6. Allumez les brûleurs adjacents en séquence en appuyant sur les boutons et en les tournant sur la position maximale (🔥).



ÉTEINDRE VOTRE GRIL

1. Fermez l'alimentation en gaz de la bouteille de gaz en tournant la vanne dans le sens horaire.
2. Tournez tous les boutons de commande du brûleur en position OFF.

Vérification de la flamme du brûleur

Vérifiez toujours le motif de flamme du brûleur après l'allumage.

Une bonne flamme doit être principalement bleue avec une pointe jaune et avoir un minimum de scintillement. Certaines pointes jaunes conviennent si elles sont inférieures à 2,5 cm (1"). Les nouveaux brûleurs ont parfois des résidus d'huile, ce qui provoquera une flamme jaune lors de la combustion. Les variations de l'alimentation en gaz, de l'altitude, des conditions météorologiques et d'autres facteurs peuvent avoir un impact sur les performances du brûleur. Les grilles plus anciennes peuvent également montrer plus de flammes jaunes en raison des dépôts de nourriture, de l'huile et de l'accumulation de graisse.

Bon



Jaune

Bleu clair

bleu

Mauvais



Jaune

Bleu clair
bleu


MISE EN GARDE
Attention au retour de flamme

MISE EN GARDE : les araignées et les petits insectes tissent parfois ou font des nids dans les tuyaux de brûleurs pendant le transport et l'entreposage.

Bloquant l'écoulement du gaz, ces toiles peuvent être la cause d'un incendie à l'intérieur et autour des tuyaux de brûleurs. Ce type d'incendie, connu sous le nom de « RETOUR DE FLAMME », peut provoquer de graves dégâts dans votre appareil et affecter les conditions de fonctionnement qui deviennent dangereuses pour l'utilisateur.

Bien qu'un tuyau de brûleur bloqué ne soit pas la seule cause de ces « RETOURS DE FLAMME », il s'agit néanmoins de la cause la plus commune. Pour réduire le risque de « RETOURS DE FLAMME », vous devez nettoyer les tuyaux de brûleurs avant de monter votre appareil et au moins une fois par mois à la fin de l'été et au début de l'automne lorsque les araignées sont particulièrement actives.

Nettoyez également les tuyaux de brûleurs si votre appareil n'a pas servi pendant une longue période. Un tube bouché peut favoriser un feu en dessous du appareil.

PRÉCHAUFFAGE

Il est nécessaire de préchauffer le gril avant de cuire certains aliments, selon le type d'aliment et la température de cuisson. Préchauffer le gril à MEDIUM/HIGH pendant 10 minutes, le couvercle fermé. Réduire la température selon ce que vous allez griller. Ensuite, enduire ou vaporiser les grilles d'huile d'olive ou végétale pour éviter que les aliments ne collent aux grilles.

POSITION DU COUVERCLE:

La position du couvercle pendant la cuisson est une question de préférence personnelle mais le gril cuit plus rapidement, utilise moins de propane et contrôle mieux la température lorsque le couvercle est fermé. Un couvercle fermé donne aussi un goût plus fumé aux viandes cuites directement sur les grilles et est aussi indispensable pour la fumaison ou la cuisson indirecte à la convection.

CUISSON À LA CHALEUR INDIRECTE:

Vous pouvez cuire la volaille et les gros morceaux de viande lentement à la perfection d'un côté du gril grâce à la chaleur indirecte du brûleur de l'autre côté. La chaleur du brûleur allumé circule doucement dans tout le gril, cuisant ainsi la viande ou la volaille sans qu'aucune flamme directe ne la touche. Cette méthode réduit considérablement le risque de flambées lors de la cuisson de coupes très grasses car il n'y a pas de flamme directe pour brûler la graisse et les jus qui s'égouttent pendant la cuisson.

PREMIÈRE UTILISATION

Avant de cuisiner avec votre barbecue pour la première fois, allumez-le pour brûler toute odeur ou corps étranger, comme suit:

1. Les grilles de cuisson en place, allumez le barbecue au gaz et faire fonctionner le barbecue à "HIGH" de 10 à 15 minutes. Ensuite, fermer l'alimentation en gaz et tourner tous les boutons de contrôle à "ARRÊT (OFF)".
2. Quand le gril est refroidi, retirez les grilles de cuisson et nettoyer avec de l'eau savonneuse. Rincez-la bien et séchez-la. Ensuite, vaporiser ou enduire généreusement toute la surface et les coins des grilles de cuisson d'huile d'olive ou végétale. Les grilles en fonte devraient être légèrement enduites à chaque utilisation.
3. Vous êtes prêt pour la cuisson. Passez au "PRÉCHAUFFAGE".



MISE EN GARDE

1. Maintenir la zone de l'appareil de cuisson au gaz pour usage extérieur dégagée et exempte de matières combustibles, d'essence et d'autres vapeurs et liquides inflammables.
2. Ne pas obstruer le flux d'air de combustion et de ventilation.
3. Maintenir la ou les ouvertures de ventilation du logement de la bouteille libre(s) et dégagée(s) de débris.
4. Vérifier visuellement les flammes du brûleur, y compris la flamme du brûleur pilote si présent, à l'aide de représentations picturales.
5. Nettoyer l'appareil de cuisson au gaz pour usage extérieur, y compris les surfaces spéciales, avec les agents de nettoyage recommandés, si nécessaire.
6. Vérifier et nettoyer les tubes du brûleur/venturi des insectes et des nids d'insectes. Un tube obstrué peut provoquer un incendie sous le gril.

Nettoyage général du gril

- Ne confondez pas les accumulations brunes ou noires de graisse et de fumée avec de la peinture. Utilisez une solution puissante de détergent et d'eau ou utilisez un produit de nettoyage pour grils et une brosse à récurer sur les surfaces intérieures du couvercle du gril et du fond de celui-ci. Rincez et laissez sécher complètement à l'air. N'utilisez pas de produit de nettoyage caustique pour gril ou four sur les surfaces peintes.
- **Pièces de plastique:** lavez à l'eau savonneuse chaude et séchez en essuyant.
- N'utilisez pas de Citrisol, de produits de nettoyage abrasifs, d'agents de dégraissage ou de produits de nettoyage de gril concentré sur les pièces en plastique. Cela pourrait les endommager et causer des défaillances dans leur fonctionnement.
- **Surfaces en porcelaine:** la composition de ces surfaces étant semblable au verre, la plupart des résidus peuvent être nettoyés avec un chiffon à l'aide d'une solution de bicarbonate de sodium et d'eau ou d'un nettoyant spécialement formulé. Utilisez de la poudre à récurer non abrasive pour les taches tenaces.
- **Surfaces peintes:** lavez avec un détergent doux ou avec un nettoyant non abrasif et de l'eau chaude savonneuse, puis essuyez avec un chiffon doux non abrasif.
- **Surfaces d'acier inoxydable:** afin de conserver l'apparence de qualité supérieure de votre gril, lavez les surfaces d'acier inoxydable au moyen de détergent doux et d'eau chaude savonneuse puis essuyez-les au moyen d'un chiffon doux après chaque utilisation. Les dépôts de graisse cuits sur la surface peuvent nécessiter l'utilisation d'un tampon nettoyeur en plastique abrasif. Frottez dans le sens du fini afin d'éviter d'endommager les surfaces. N'utilisez pas de tampon abrasif sur les endroits comportant des éléments graphiques.
- **Surfaces de cuisson:** Si une brosse avec soies est employée pour nettoyer les surfaces de cuisson du gril, assurez-vous qu'aucune soie ne reste sur les surfaces avant de procéder à la cuisson. Il est déconseillé de nettoyer les surfaces de cuisson alors que le gril est chaud.

Nettoyage des brûleurs

1. Assurez-vous que le gaz est éteint au niveau du bouteille de gaz.
2. Retirez les grilles de cuisson et les atténuateurs de flamme.
3. Soulevez chaque brûleur et sortez-le.
4. Nettoyez l'intérieur du brûleur à l'aide d'un fil rigide. Un cintre redressé fonctionnera. Une alternative consiste à utiliser de l'air comprimé. Portez toujours un équipement de protection pour vos yeux lorsque vous utilisez cette méthode. N'agrandissez jamais les orifices du brûleur pendant le nettoyage.
5. Brossez la surface extérieure du brûleur.
6. Assurez-vous que tous les ports (trous) sont exempts de débris.
7. Inspectez les brûleurs. Remplacez ceux qui ont des fissures ou des ports élargis.
8. Remplacez les atténuateurs de flamme et les grilles de cuisson.
9. Effectuez l'essai de fuite décrit plus haut dans ce Manuel de l'Utilisateur.

Nettoyage des brûleurs

1. Nettoyez votre gril avant de le ranger. Stockez le gril dans un emplacement sec.
2. Le stockage d'un gril à gaz à l'intérieur n'est permis qu'après que le bouteille de gaz est débranché et retiré du gril à gaz.
3. Une housse est hautement recommandée pour protéger votre gril. Faites votre choix parmi un large choix de housses de gril proposés par les fabricants.
4. Effectuez un essai de fuite avant d'utiliser le gril après qu'il a été entreposé pendant un certain temps.

Urgences	Cause possible	Prévention/Solution
Fuite de gaz d'un tuyau fissuré/coupé/brûlé	Tuyau endommagé	Coupez le gaz au niveau du bouteille de gaz, si le tuyau est coupé ou fissuré, remplacez le tuyau. Effectuez un essai de fuite du bouteille de gaz et vérifiez la connexion du régulateur au bouteille de gaz.
Fuite de gaz du bouteille de gaz	Panne mécanique due au vieillissement ou à une mauvaise manipulation	Fermez la vanne du bouteille de gaz. Contactez votre revendeur de GPL ou appelez le 911.
Fuite de gaz de la vanne du bouteille de gaz	Défaillance de la vanne du bouteille en raison d'une mauvaise manipulation ou d'une défaillance mécanique	Cierre la válvula del bombona de gas. Devuelva el bombona de gas al proveedor de gas.
Fuite de gaz entre le bouteille de gaz et la connexion du régulateur	Mauvaise installation, connexion desserrée, défaillance du joint en caoutchouc	Fermez la vanne du bouteille de gaz, retirez le régulateur de la bouteille et inspectez visuellement le joint en caoutchouc pour détecter tout dommage. Effectuez un essai de fuite du bouteille de gaz et vérifiez la connexion du régulateur au bouteille de gaz.
Le feu passe par le panneau de commande	Incendie dans la section du tube de brûleur en raison d'un blocage partiel	Fermez les boutons de commande et la vanne du bouteille de gaz. Lorsque le feu est éteint et que le grill est froid, retirez le brûleur et inspectez les nids d'araignées ou la rouille. Consultez les pages sur les dangers naturels et le nettoyage de l'ensemble du brûleur.

Problema	Cause possible	Prévention/Solution
Feu de graisse ou flamme excessive continue au-dessus de la surface de cuisson	Trop d'accumulation de graisse dans la zone du brûleur	Fermez le bouteille de gaz. Laissez le couvercle ouvert pour permettre aux flammes de s'éteindre. Après refroidissement, nettoyez les particules d'aliments et l'excès de graisse à l'intérieur de la chambre à feu, de la cuve/bac/plateau de graisse et d'autres surfaces.
Le brûleur ne s'allume pas lors de l'utilisation de l'allumeur	Problèmes de gaz: <ol style="list-style-type: none"> 1. Essayant d'allumer le mauvais brûleur 2. Brûleur non engagé avec la vanne de commande 3. Obstruction dans le brûleur 4. Aucun débit de gaz 5. Verrouillage de vapeur au niveau de l'écrou d'accouplement au bouteille de gaz 6. L'écrou d'accouplement et la vanne du bouteille de gaz ne sont pas entièrement connectés. 	<ol style="list-style-type: none"> 1. Consultez les instructions sur le panneau de commande. 2. Assurez-vous que la vanne est positionnée à l'intérieur des tubes du brûleur. 3. Assurez-vous que les tubes du brûleur ne sont pas obstrués par des toiles d'araignées ou d'autres matériaux; voir la section de nettoyage pour l'entretien. 4. Assurez-vous que le bouteille de gaz n'est pas vide. Si le bouteille de gaz n'est pas vide, vérifiez «chute soudaine du débit de gaz». 5. Fermez les boutons et déconnectez l'écrou d'accouplement du bouteille de gaz. Reconnectez-le et réessayez. 6. Tournez l'écrou d'accouplement d'environ un demi à trois quarts.
	Problèmes électriques: <ol style="list-style-type: none"> 1. Électrode fissurée ou cassée; des étincelles à la fissure. 2. La pointe de l'électrode n'est pas dans la bonne position. 3. Le fil et/ou l'électrode sont recouverts de résidus de cuisson. 4. Les fils sont desserrés ou déconnectés. 5. Les fils sont en court-circuitée entre l'allumeur et l'électrode. 6. Le bouton-poussoir reste en bas, faisant des étincelles entre l'allumeur et l'électrode. 	<ol style="list-style-type: none"> 1. Remplacez l'électrode. 2. La pointe de l'électrode doit être dirigée vers l'orifice du port du brûleur. La distance doit être de 1/8" à 3/16". Ajustez si nécessaire. 3. Nettoyez le fil et/ou l'électrode avec de l'alcool à friction et un écouvillon propre. 4. Rebranchez les fils ou remplacez l'ensemble d'électrode/fil. 5. Remplacez le fil de l'allumeur. 6. Remplacez l'allumeur. 7. Inspectez l'isolation des fils et la bonne connexion. Remplacez les fils si l'isolation est cassée.

Problema	Cause possible	Prévention/Solution
Le brûleur ne s'allume pas lors de l'utilisation de l'allumeur	Problème avec le bouton d'allumage: 1. Se agotó la pile del encendedor 2. Vérifiez l'orientation de la pile REMARQUE: Tenter d'allumer manuellement le brûleur avec une allumette. Si le brûleur s'allume, le bouton d'allumage fait défaut.	1. Remplacer la pile. 2. Installez la pile (Vérifiez que les connecteurs « + » et « - » sont orientés correctement, avec l'extrémité « + » du couvercle.) Revissez le capuchon de l'allumeur et assurez-vous que les filets sont parfaitement alignés.
Chute soudaine du débit de gaz ou flamme faible	1. Accumulation de graisse. 2. Excès de graisse dans la viande. 3. Température de cuisson excessive	1. Nettoyez les brûleurs et l'intérieur du gril/de la chambre à feu. 2. Coupez le gras de la viande avant de la griller.
La flamme est éteinte	Vents forts ou en rafales/faible LP gaz. La vanne d'excès de débit s'est déclenchée.	Tournez l'avant du gril pour faire face au vent ou augmentez la hauteur de la flamme. Remplissez le bouteille de gaz.
Feu de graisse persistant	Graisse emprisonnée par l'accumulation de nourriture autour du système de brûleur.	Mettez les boutons sur OFF. Coupez le gaz au bouteille de gaz. Laissez le couvercle en place et laissez le feu s'éteindre. Une fois le gril refroidi, retirez et nettoyez toutes les pièces.
Retour en arrière... (feu dans le (s) tube (s) du brûleur)	Le brûleur et les tubes du brûleur sont bloqués.	Mettez les boutons sur OFF. Nettoyer le brûleur et/ou les tubes de brûleur. Reportez-vous à la section de nettoyage du brûleur sur l'entretien.
Flambées	1. Accumulation de graisse. 2. Excès de graisse dans la viande. 3. Température de cuisson excessive	1. Nettoyez les brûleurs et l'intérieur du gril/de la chambre à feu. 2. Coupez le gras de la viande avant de la griller. 3. Ajustez (abaissez) la température.
Impossible de remplir le bouteille de gaz	Certains revendeurs ont des buses de remplissage plus anciennes avec des filets usés.	Lorsque vous tournez des buses usées, elles n'ont pas assez de « morsure » pour engager la vanne. Essayez un autre revendeur de GPL.
Un brûleur ne s'allume pas à partir d'autres brûleurs	Accumulation de graisse ou particules alimentaires à l'extrémité du tube de transfert	Nettoyer le tube de transfert avec une brosse métallique.

Merci d'avoir acheté ce gril **FEASTO**® .

Le FEASTO garantit à l'acheteur initial, et uniquement celui-ci, que le produit est exempt de tout défaut de matériel et de main-d'œuvre, dans la mesure où il a été assemblé correctement, qu'il est utilisé de façon normale et entretenu de la façon recommandée. La garantie de FEASTO ne couvre pas la finition de peinture, car elle peut brûler au cours d'un usage normal. La rouille n'est pas considérée comme un défaut de fabrication ou de matériaux.

Durant la période de garantie déclarée, FEASTO, à sa discrétion, remplacera gratuitement tout composant défectueux, le propriétaire étant responsable des frais de transport. FEASTO se réserve le droit d'exiger que les pièces défectueuses soient retournées, en port et/ou en fret prépayé par le consommateur pour examen et examen. En cas de problèmes de disponibilité des pièces, FEASTO se réserve le droit de remplacer des pièces similaires qui sont également fonctionnels. À l'expiration de la garantie, toute responsabilité et obligation en découlant cessera.

Remarque: Cette garantie limitée n'est disponible que pour l'original propriétaire du produit et n'est pas transférable. Un reçu de vente daté avec le numéro de modèle et le numéro de série sera nécessaire pour le service de garantie.

Cette garantie limitée ne vous remboursera pas le coût des inconvénients, de la nourriture, des blessures corporelles ou des dommages matériels. Toute couverture de garantie est nulle si ce appareil de cuisson est utilisé à des fins commerciales ou de location. Cette garantie limitée s'applique **UNIQUEMENT** au fonctionnement du produit et ne couvre pas les rayures, les bosses, la corrosion ou la décoloration causées par la chaleur, les nettoyants abrasifs et chimiques, ou par les outils utilisés dans l'assemblage ou l'installation de l'appareil, l'oxydation des surfaces ou décoloration des surfaces en acier inoxydable

CE QUI N'EST PAS COUVERT PAR LA GARANTIE

Toutes défaillances ou difficultés au niveau du fonctionnement causées par un accident, l'abus, une mauvaise utilisation, une modification, une mauvaise application, le vandalisme, une mauvaise installation, l'entretien/le service incorrect, ou un manquement à fournir l'entretien régulier, y compris sans limitations les dommages causés par les insectes dans les brûleurs, tel qu'indiqué dans le guide de l'utilisateur. La détérioration ou les dommages causés par les intempéries telles que la grêle, les ouragans, les tremblements de terre ou les tornades, la décoloration suite à l'exposition directe ou indirecte aux produits chimiques.

Coûts d'expédition ou de transport.

Coûts des appels de service.

Coûts d'enlèvement ou de réinstallation.

La collecte et la livraison de votre produit.

Coûts de main d'œuvre pour l'installation et les réparations.

Responsabilité pour les dommages indirects ou consécutifs.

Cette garantie limitée tient lieu de garantie unique offerte par FEASTO et remplace toute autre garantie expresse ou implicite, y compris toute garantie implicite d'aptitude à la commercialisation ou d'adaptation à un usage particulier. Ni FEASTO ni le détaillant qui vend ce produit ne sont autorisés à fournir des garanties ou à promettre quoi que ce soit qui dépasse ou qui contredit ce qui est énoncé ci-dessus.

La responsabilité maximale de FEASTO, dans tous les cas, ne peut dépasser le prix d'achat de l'article payé par le consommateur ou l'acheteur d'origine.

Certains États et certaines provinces ne permettent pas l'exclusion ni la limitation de dommages directs ou indirects. Par conséquent, les exclusions ou limitations indiquées ci-dessus peuvent ne pas vous être applicables.

Ne retournez aucune pièces sans avoir préalablement obtenu l'autorisation de retour de notre service clientèle.

N'hésitez pas à contacter notre service de clientèle si vous avez des questions concernant l'assemblage, la garantie ou les accessoires. Nous serons heureux de vous proposer les pièces de rechange dont vous avez besoin pendant la période de garantie.



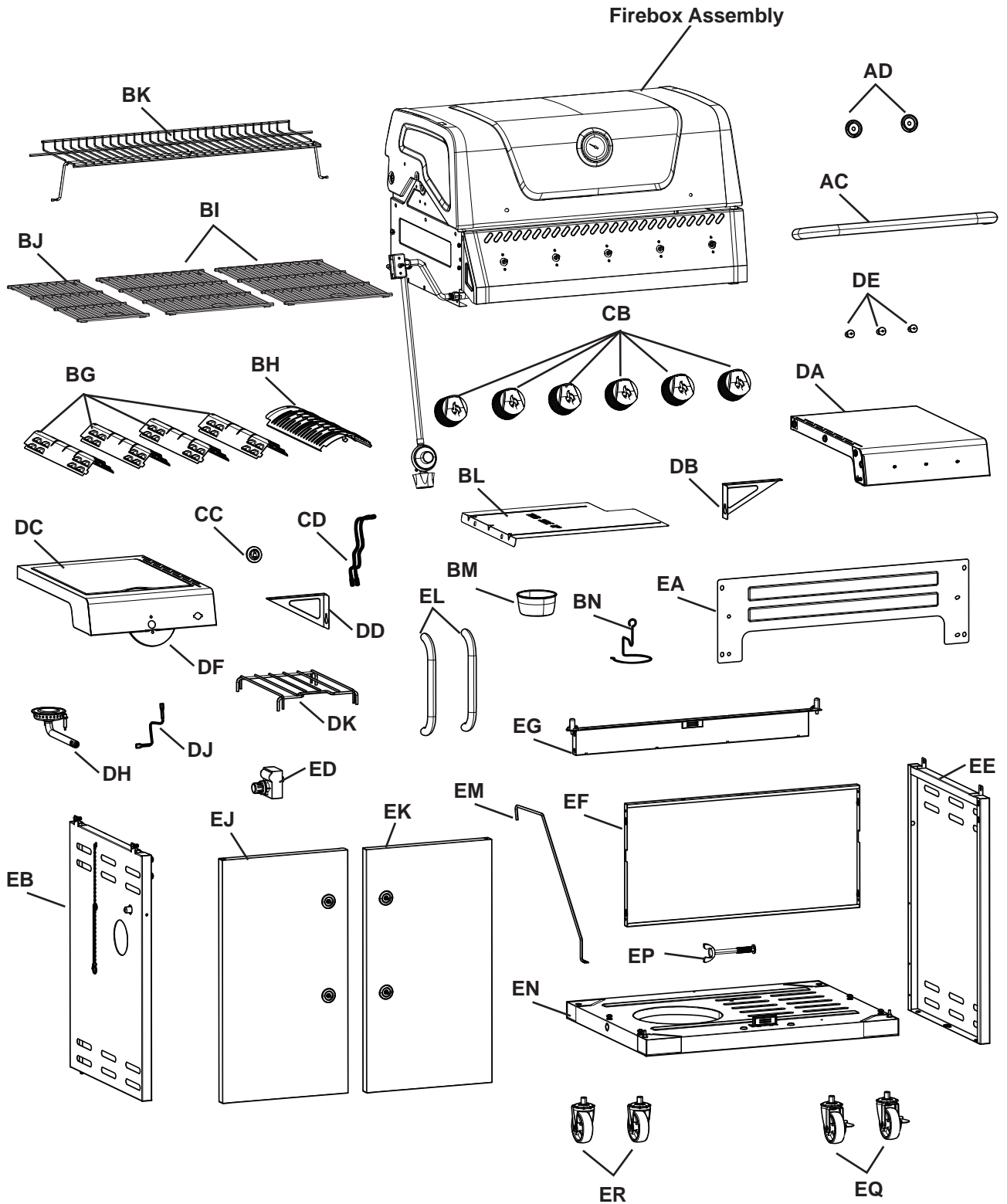
service@feastooutdoors.com



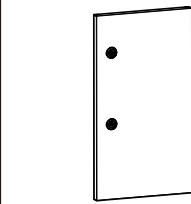
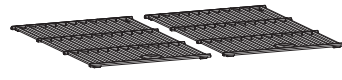
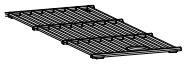


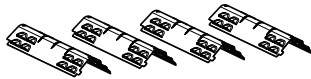



1-470-589-8732



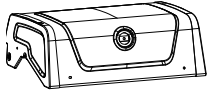
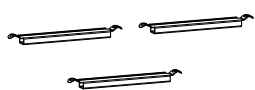

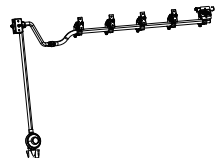
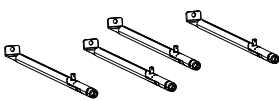
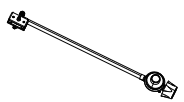
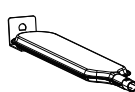



Du lundi au vendredi, de 8 h 30 à 17 h 30, HNE



No.	Image / Imagen / l' image	Part No.	QTY	No.	Image / Imagen / l' image	Part No.	QTY
1		EN	1	13		CB	6
2		ER	2	14		EA	1
3		EQ	2	15		DC	1
4		EE	1	16		DF	1
				17		DD	1
5		EB	1	18		CC	1
				19		CD	2
6		EF	1	20		DH	1
				21		DJ	1
7		EM	1	22		DK	1
8		EG	1	23		DA	1
9		BL	1	24		DB	1
10		Firebox Assembly	1	25		DE	3
				26		ED	1
11		AC	1	27		EJ	1
12		AD	2				

No.	Image / Imagen / l' image	Part No.	QTY	No.	Image / Imagen / l' image	Part No.	QTY
28		EK	1	32		BI	2
				33		BJ	1
29		EL	2	34		BK	1
30		BG	4	35		BNBM	1
31		BH	1	36		EP	1

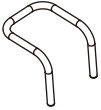
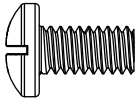
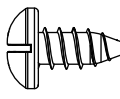

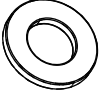
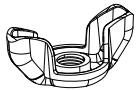
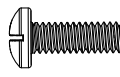
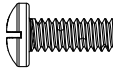
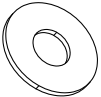
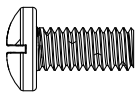
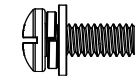
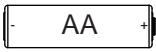
Replaceable pre-assembled spare parts in the firebox.

No.	Image / Imagen / l' image	DESC.	Part No.	No.	Image / Imagen / l' image	DESC.	Part No.
37		Lid	AA	42		Carryover assembly	BF
38		Thermometer	AB	43		Valve & regulator assembly	CE
39		Burner	BB	44		Regulator	CF
40		Sear Burner	BC	45		Magnet	EH
41		Electrode of sear burner	BD	46		Electrode of burner	BE

TOOLS NEEDED FOR ASSEMBLY

- #2 Cross-head screwdriver (long and short)
- 1/4" Slotted screwdriver (long and short)
- Adjustable wrench
- Pliers

▲ CAUTION: Sheet metal can cause injury, wear gloves when installing the barbecue.

<p style="text-align: center;">1</p>  <p style="text-align: center;">Castor Pin x 1</p>	<p style="text-align: center;">2</p>  <p style="text-align: center;">1/4 " - 20UNC X 13 Screw x 24</p>	<p style="text-align: center;">3</p>  <p style="text-align: center;">ST4.2 X 8 Tapping screw x 5</p>	<p style="text-align: center;">4</p>  <p style="text-align: center;">Φ5 Washer x 4</p>
<p style="text-align: center;">5</p>  <p style="text-align: center;">Φ5 Flat Washer x 4</p>	<p style="text-align: center;">6</p>  <p style="text-align: center;">NO.8 Wing Nut x 1</p>	<p style="text-align: center;">7</p>  <p style="text-align: center;">NO.5 - 40 UNC X 10 Screw x 3</p>	<p style="text-align: center;">8</p>  <p style="text-align: center;">NO.10 - 24UNC X 13 Screw x 10</p>
<p style="text-align: center;">9</p>  <p style="text-align: center;">φ6.5 Aluminum Washer x 6</p>	<p style="text-align: center;">10</p>  <p style="text-align: center;">NO.8 - 32UNC X 10 Screw x 2</p>	<p style="text-align: center;">11</p>  <p style="text-align: center;">1/4"X18 Screw Assembly x 2</p>	<p style="text-align: center;">12</p>  <p style="text-align: center;">AA Battery x 1</p>

BEFORE ASSEMBLING THIS BARBECUE, READ THE INSTRUCTIONS CAREFULLY.

Assemble the barbecue on a flat, clean surface.

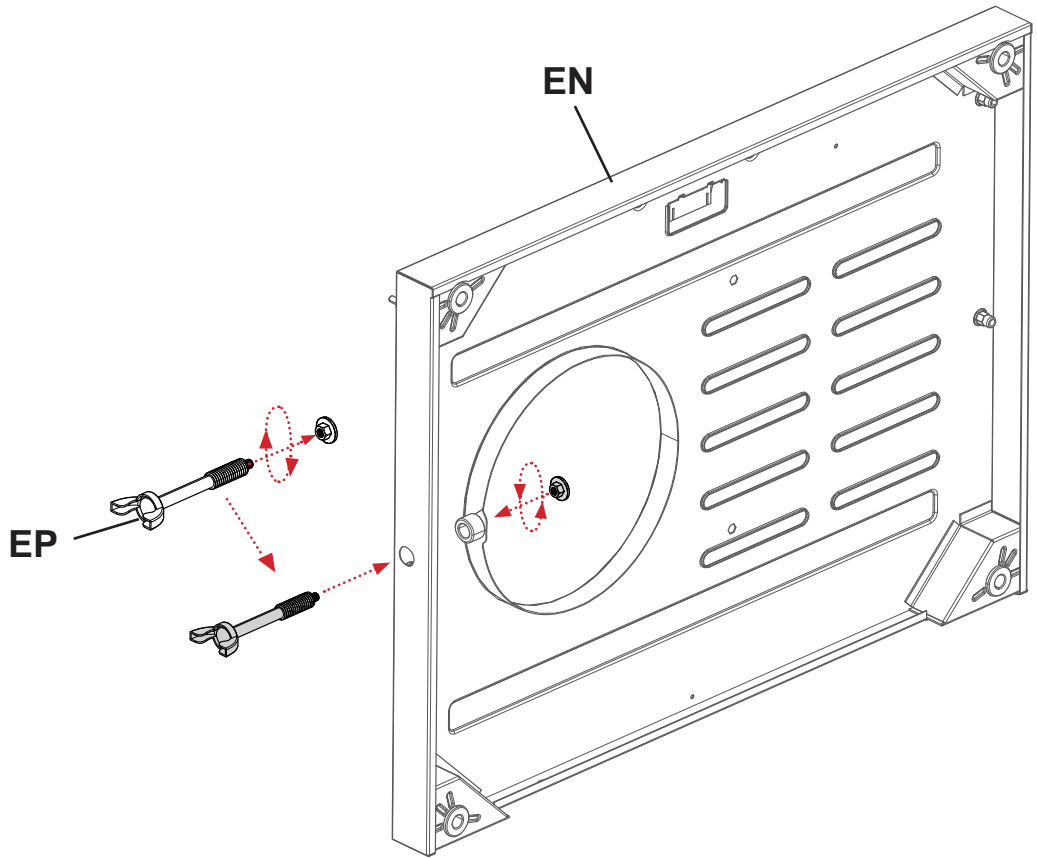
The barbecue is heavy; two people are recommended to complete assembly.

1

EN * 1

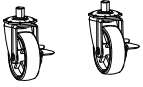


EP * 1



2

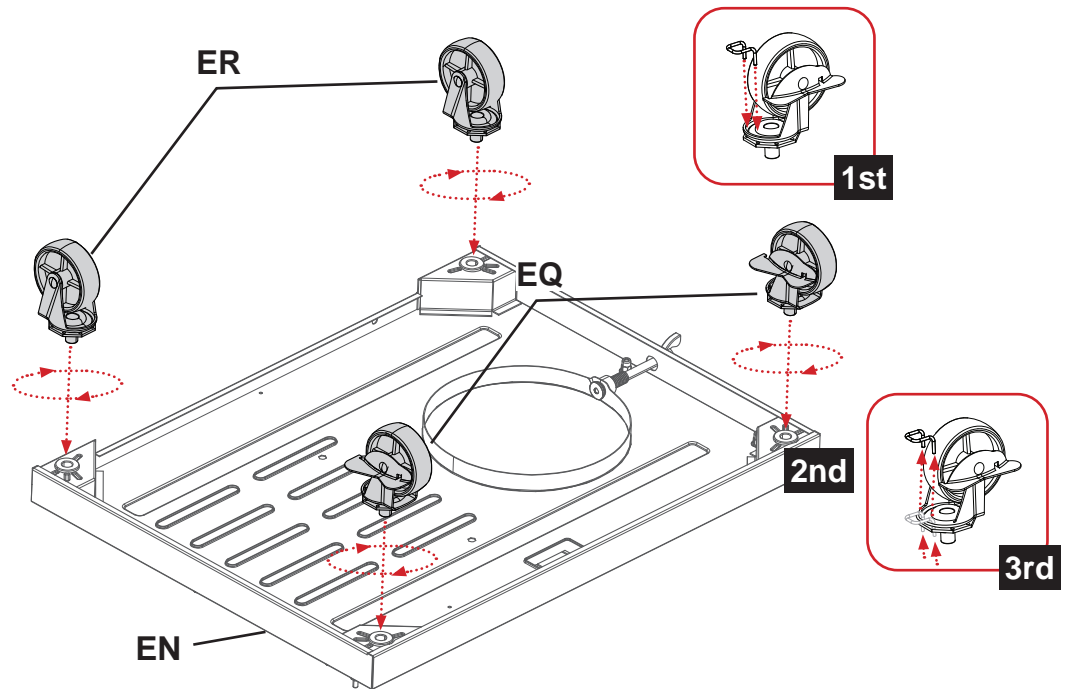
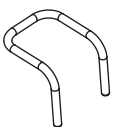
EQ * 2



ER * 2

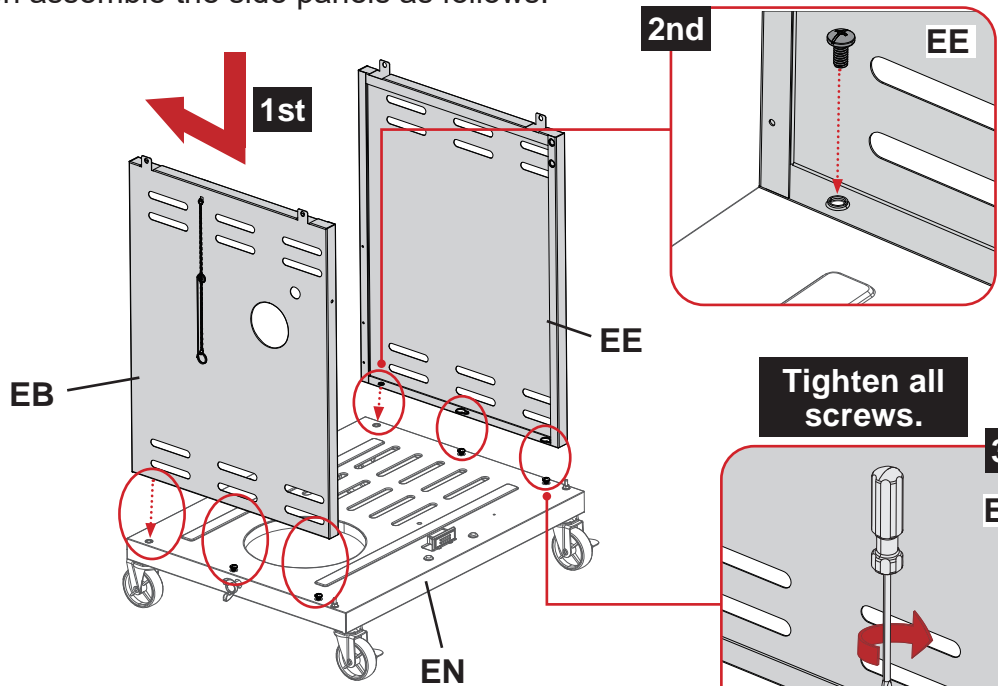
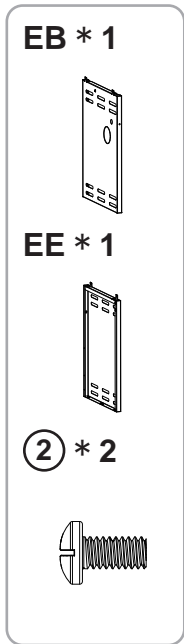


① * 1



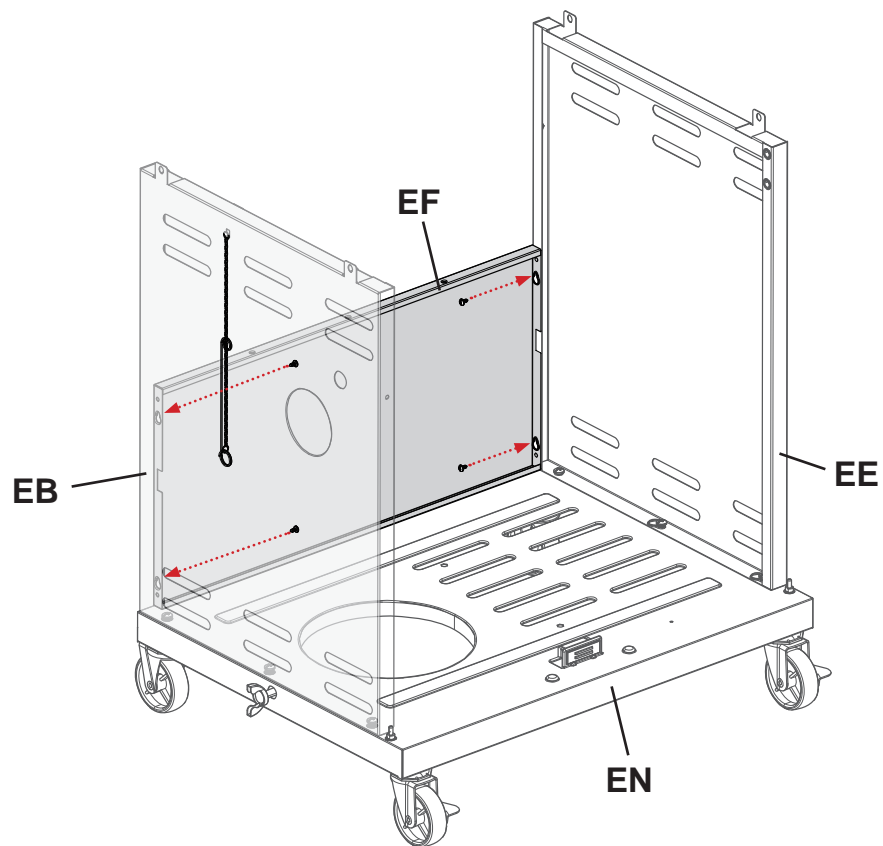
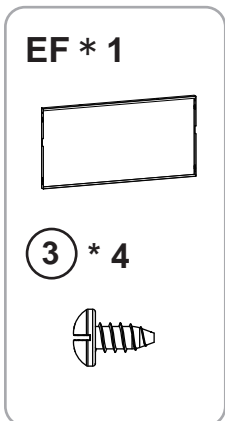
3

Hand-tighten 4 bolts ② at the bottom shelf.
Then assemble the side panels as follows.

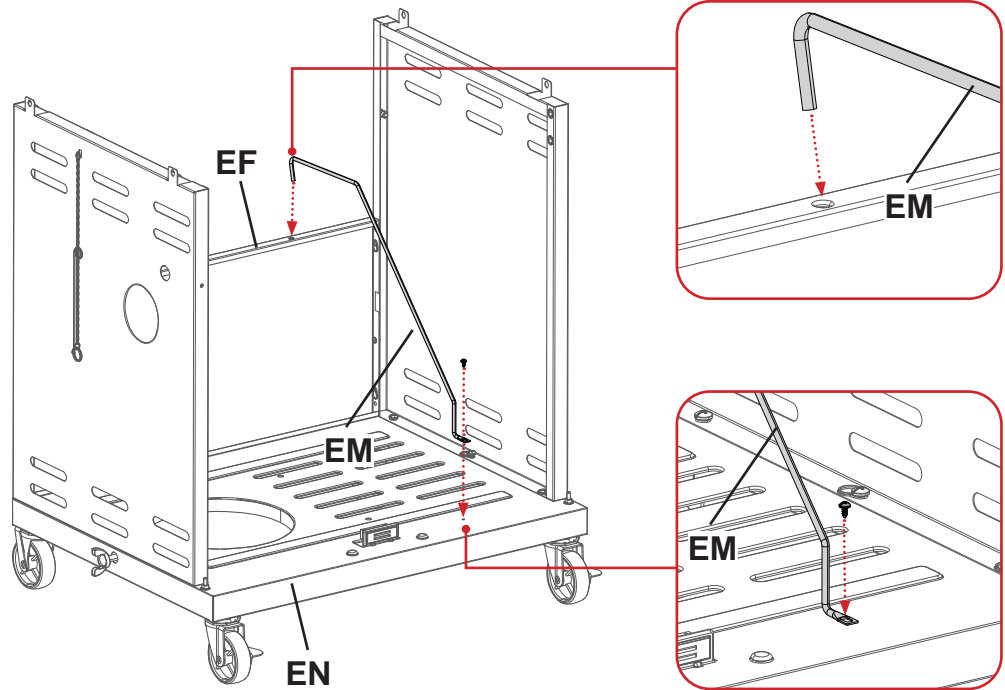
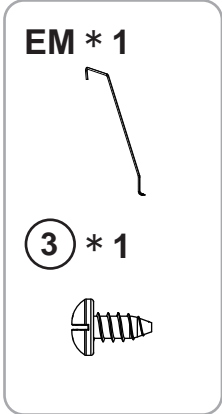


4 screws have been pre-assembled on the bottom board.

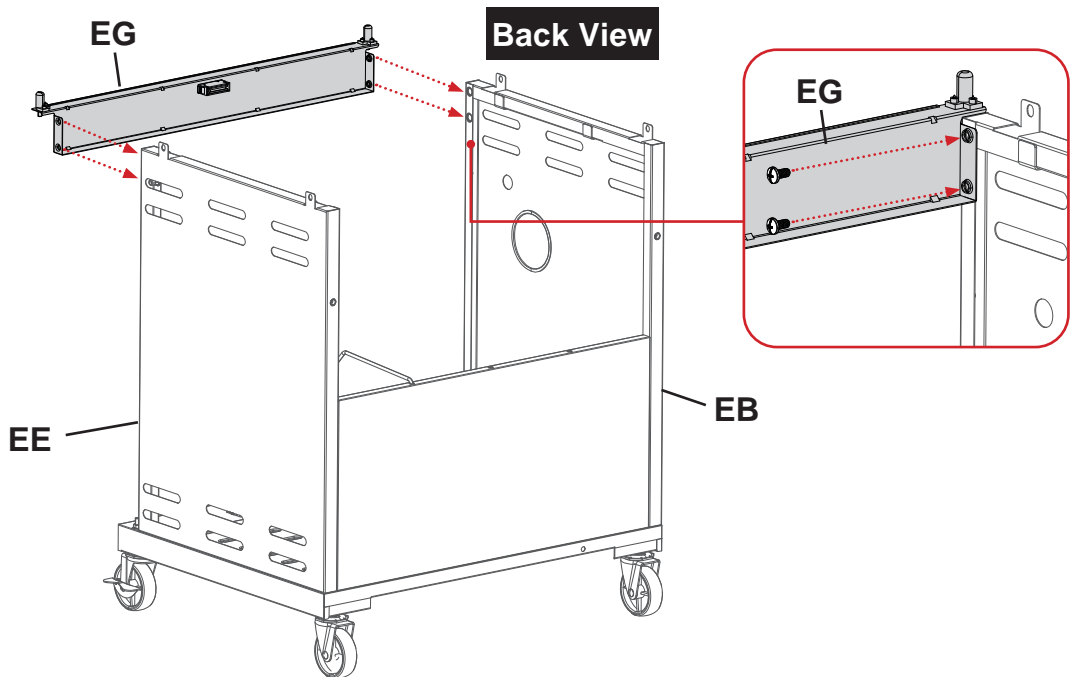
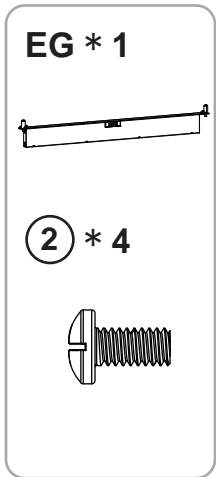
4



5



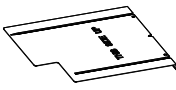
6



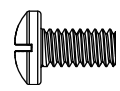
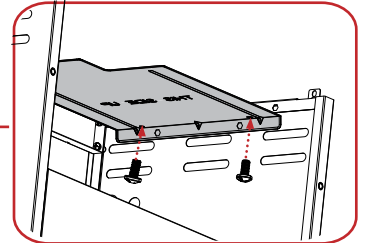
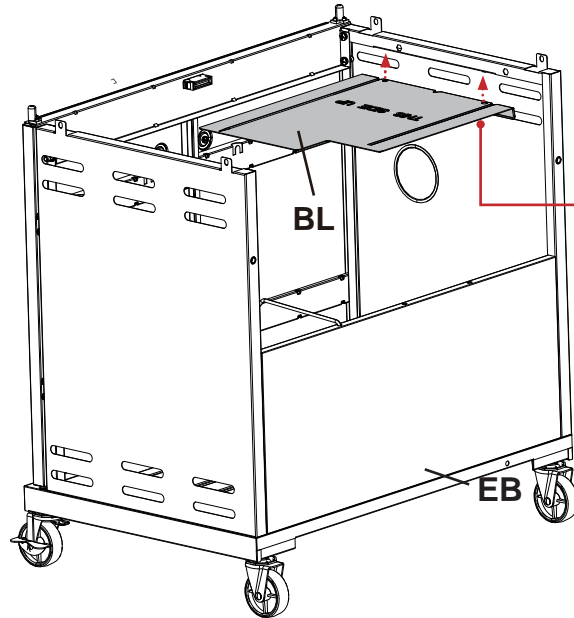
7

Back View

BL * 1




2 * 2





8


AC * 1



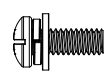
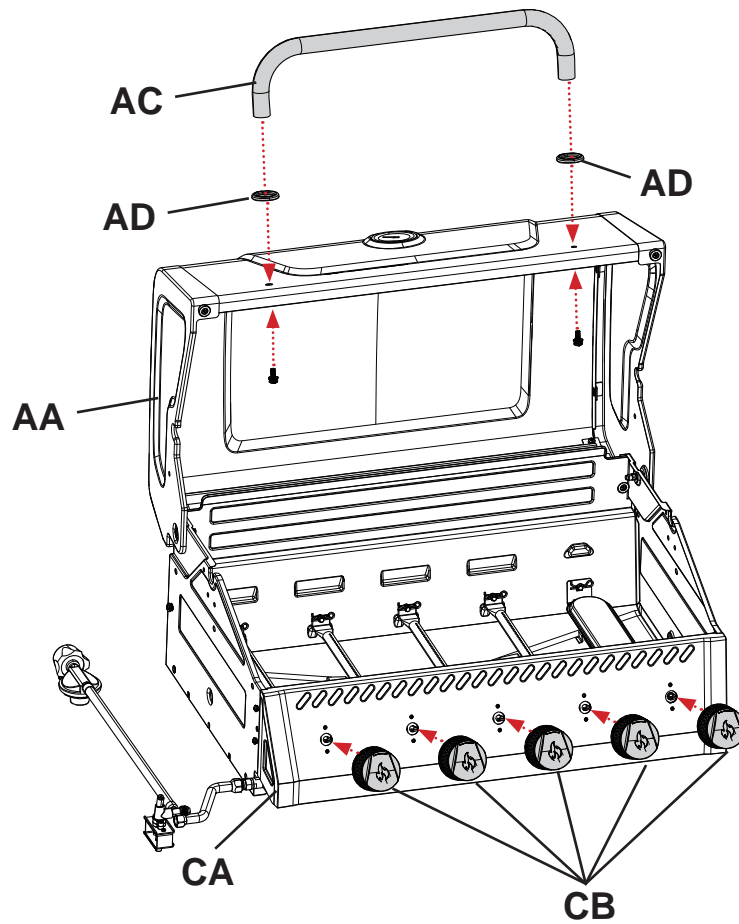
AD * 2



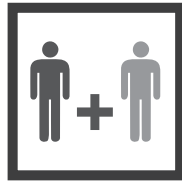
CB * 5



11 * 2

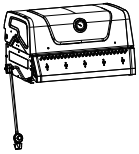



9

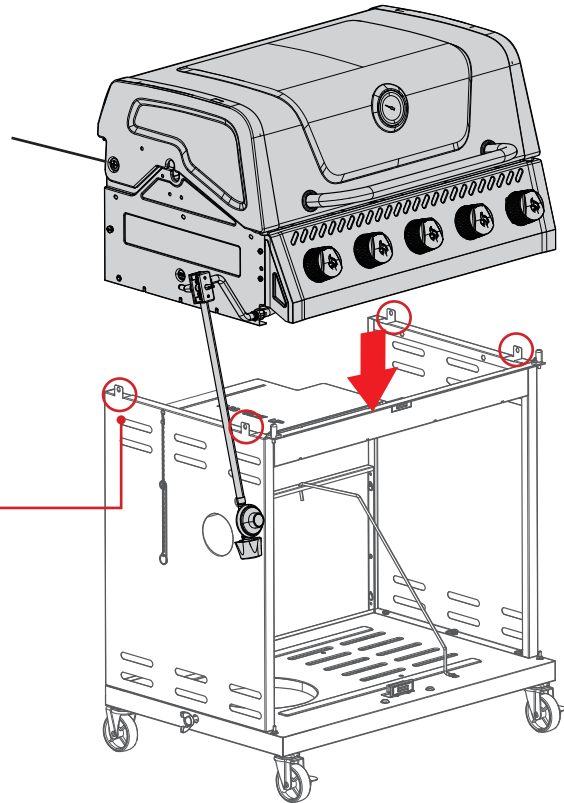
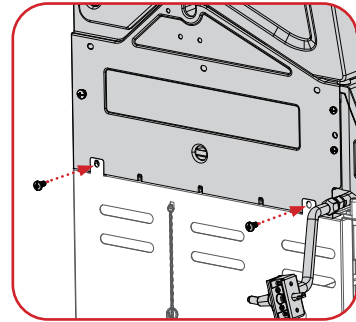
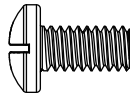


Firebox Assembly

Firebox Assembly



2 * 4



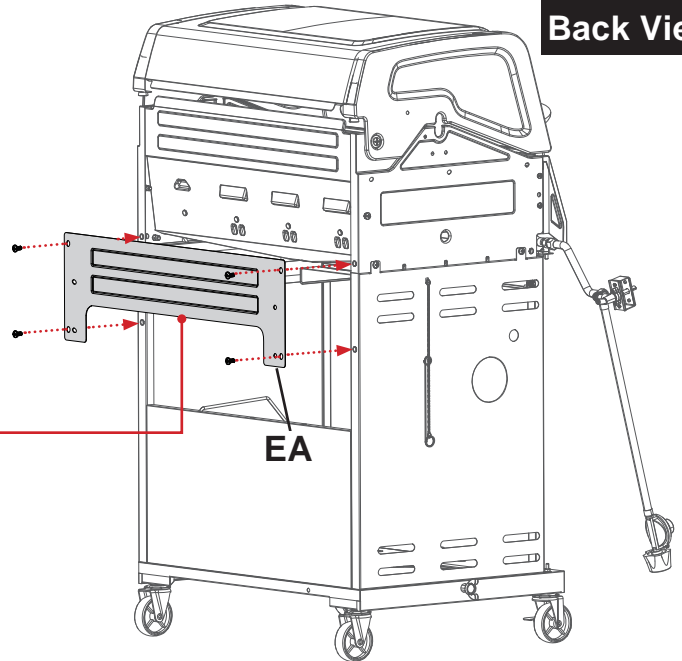
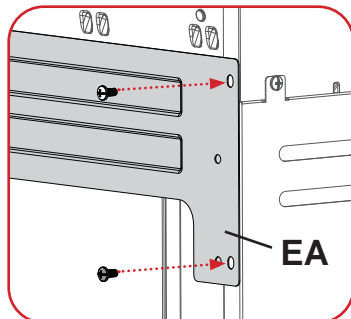
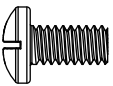
10

Back View

EA * 1

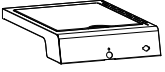


2 * 4



11

DC * 1



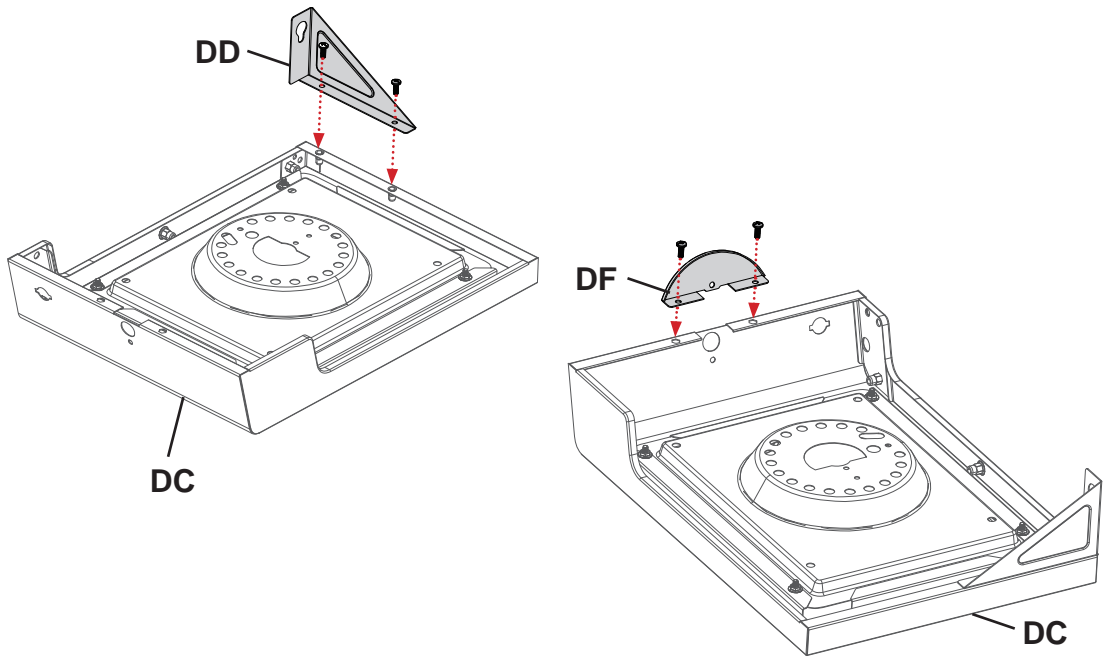
DD * 1



DF * 1

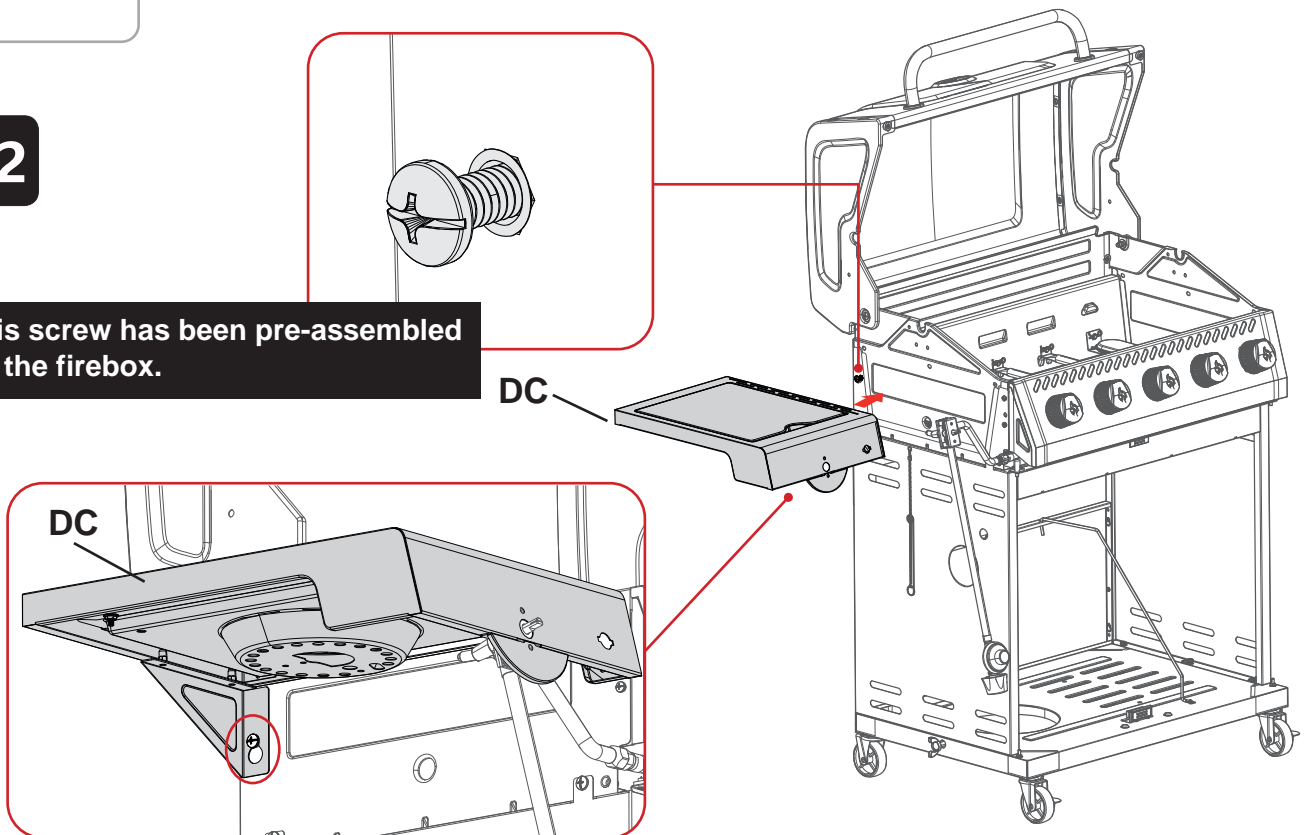
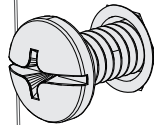


⑧ * 4

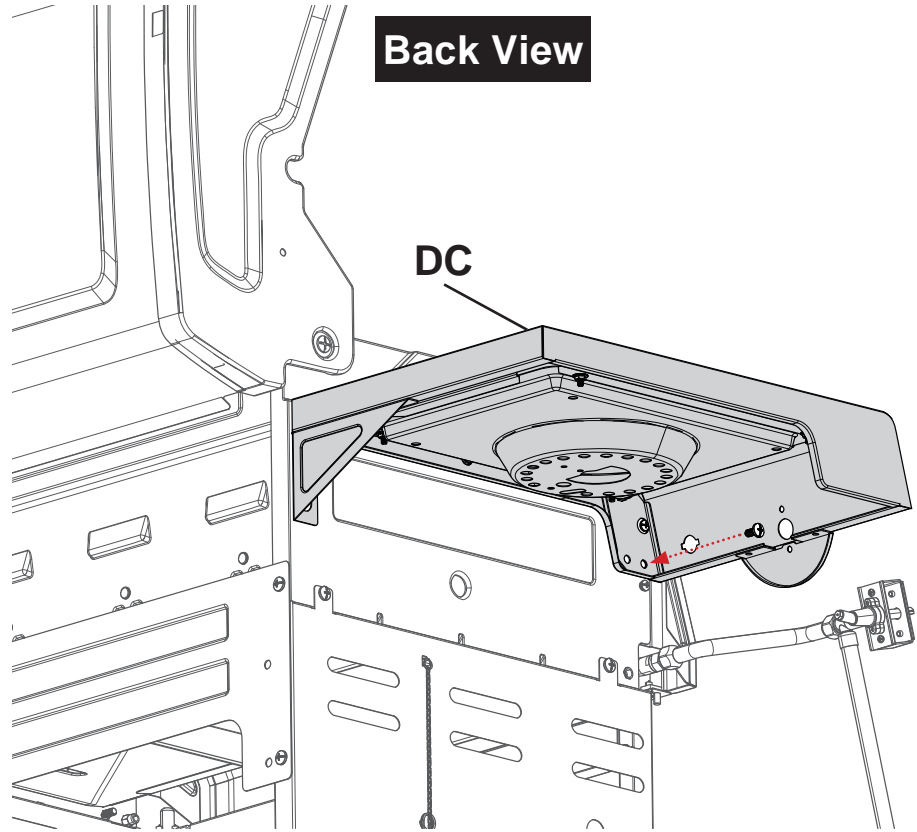
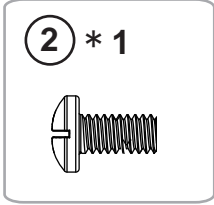


12

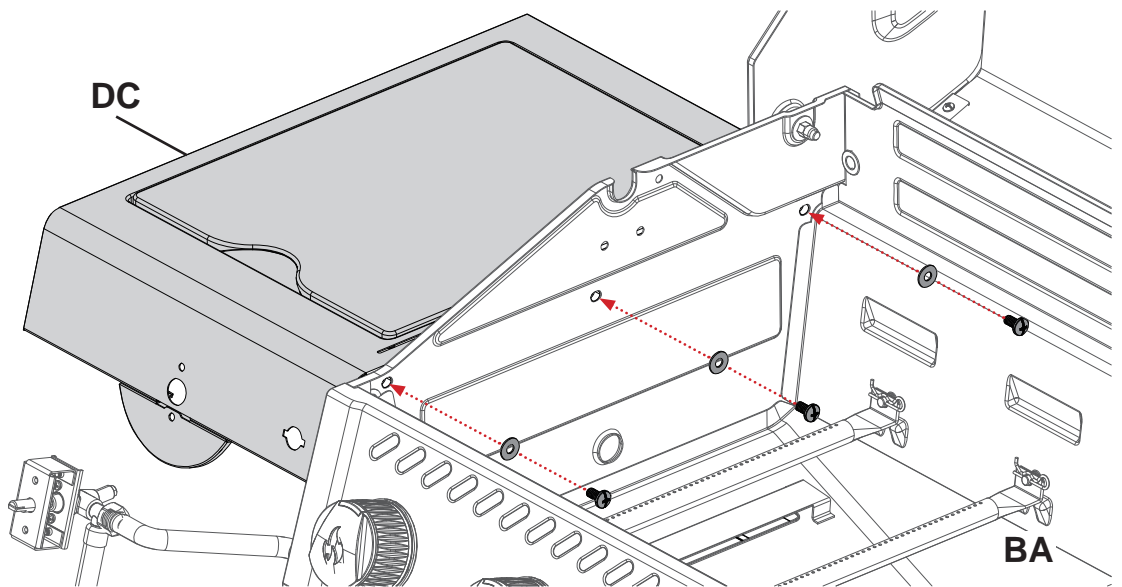
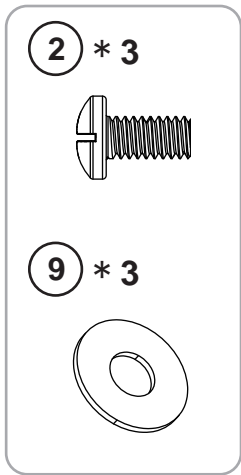
This screw has been pre-assembled on the firebox.



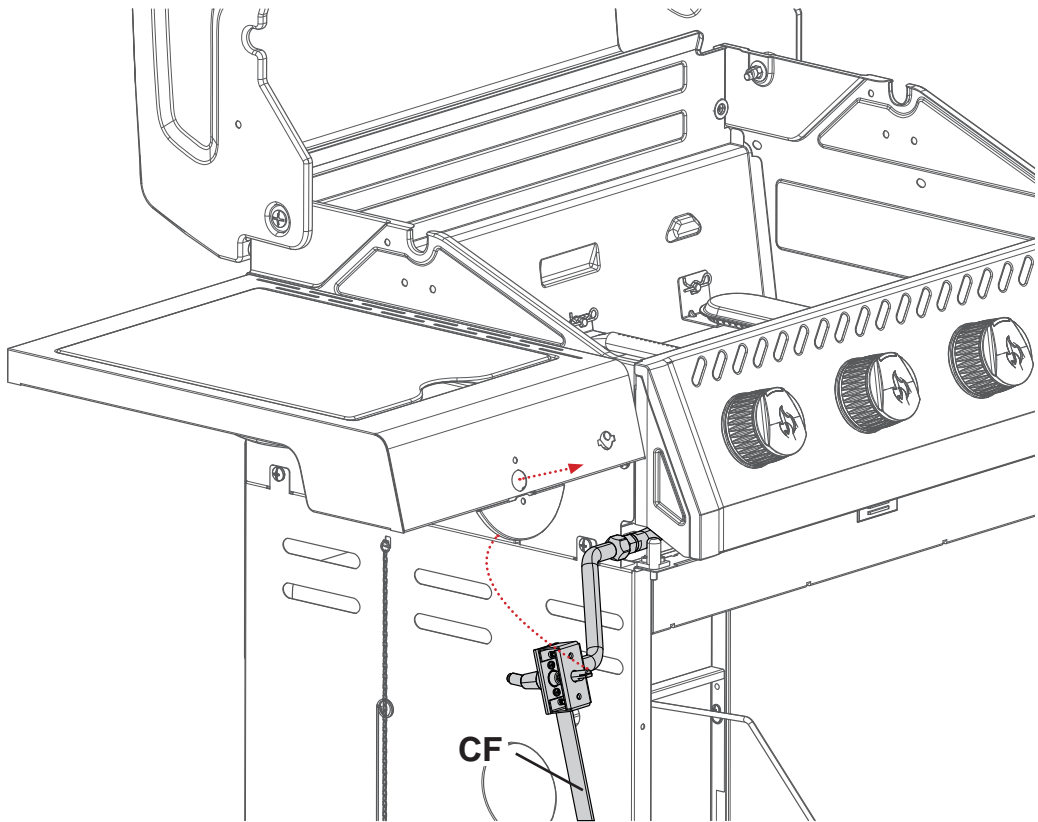
13



14

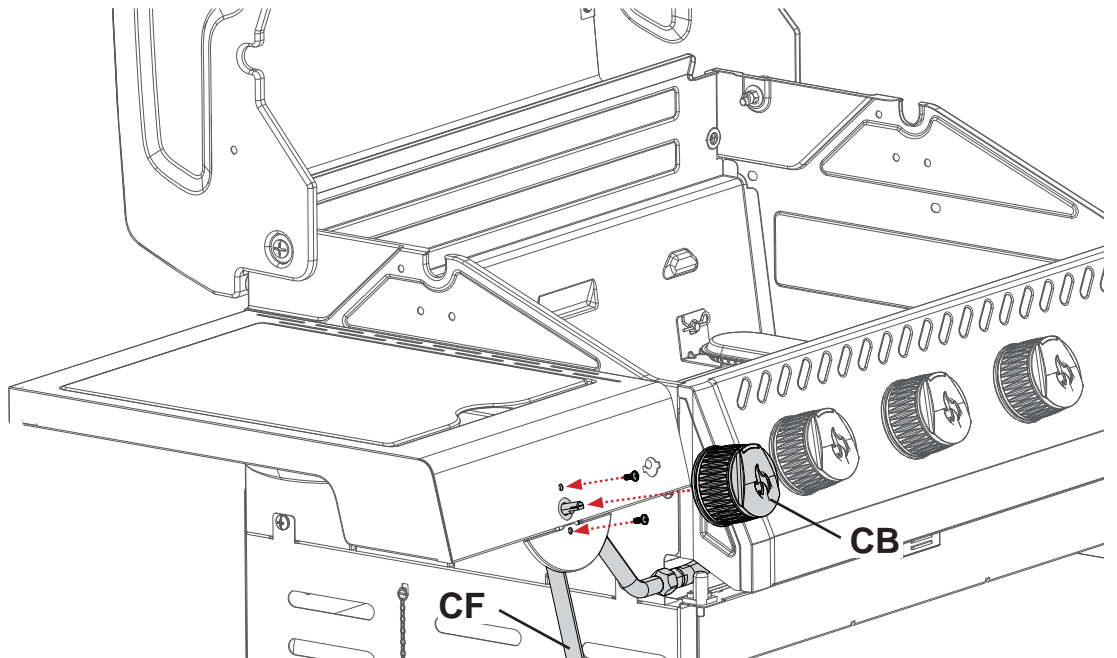


15



16

- 10 * 2
- CB * 1

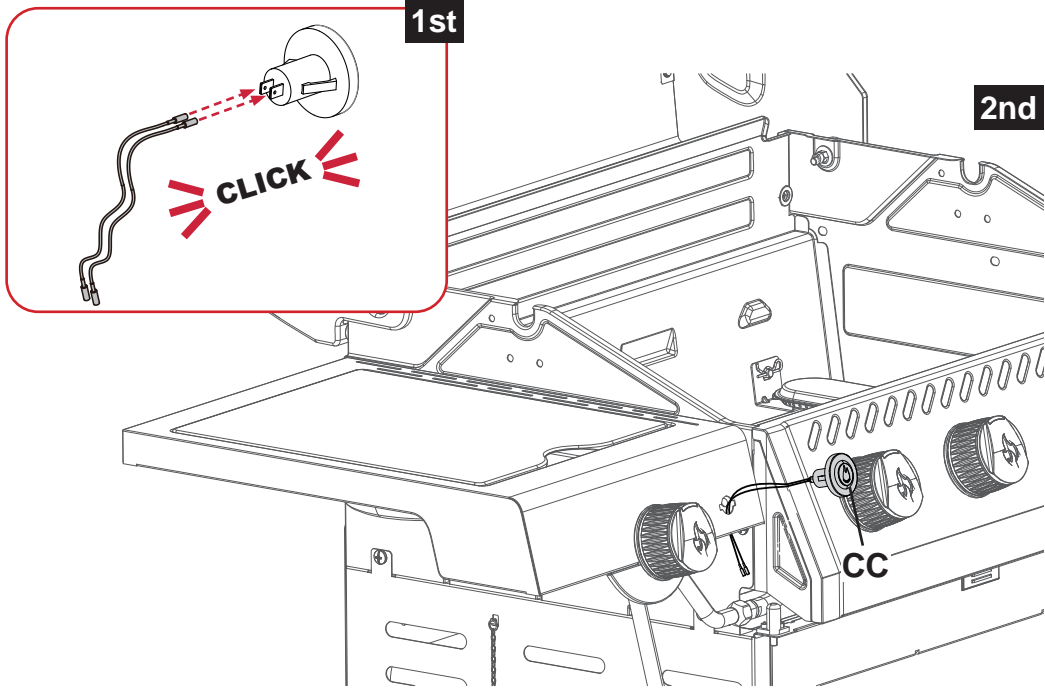


17

CC * 1



CD * 2

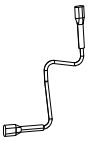


18

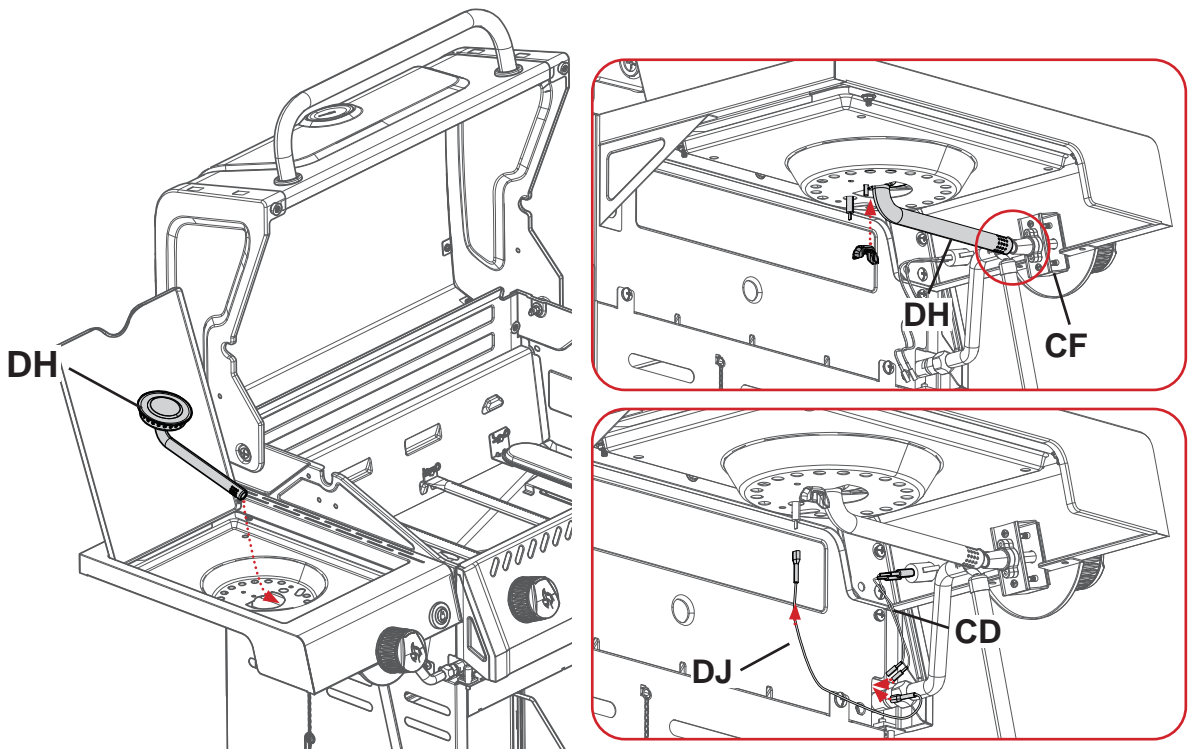
DH * 1



DJ * 1

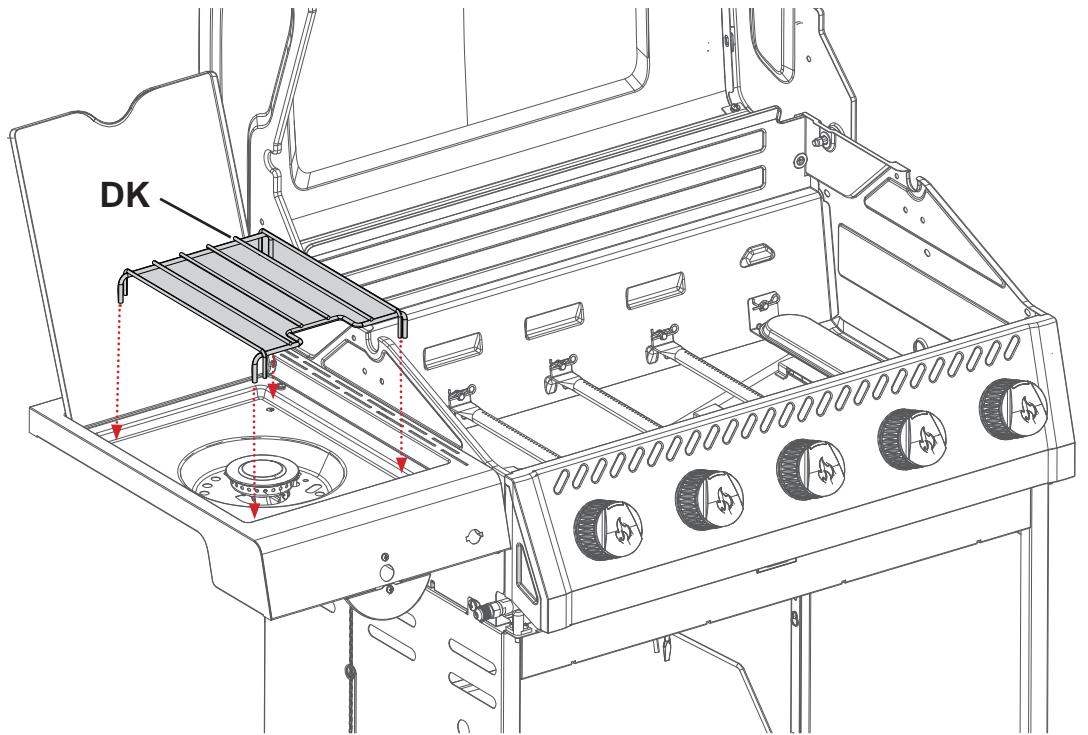
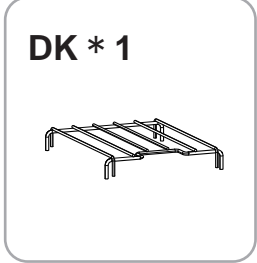


6 * 1



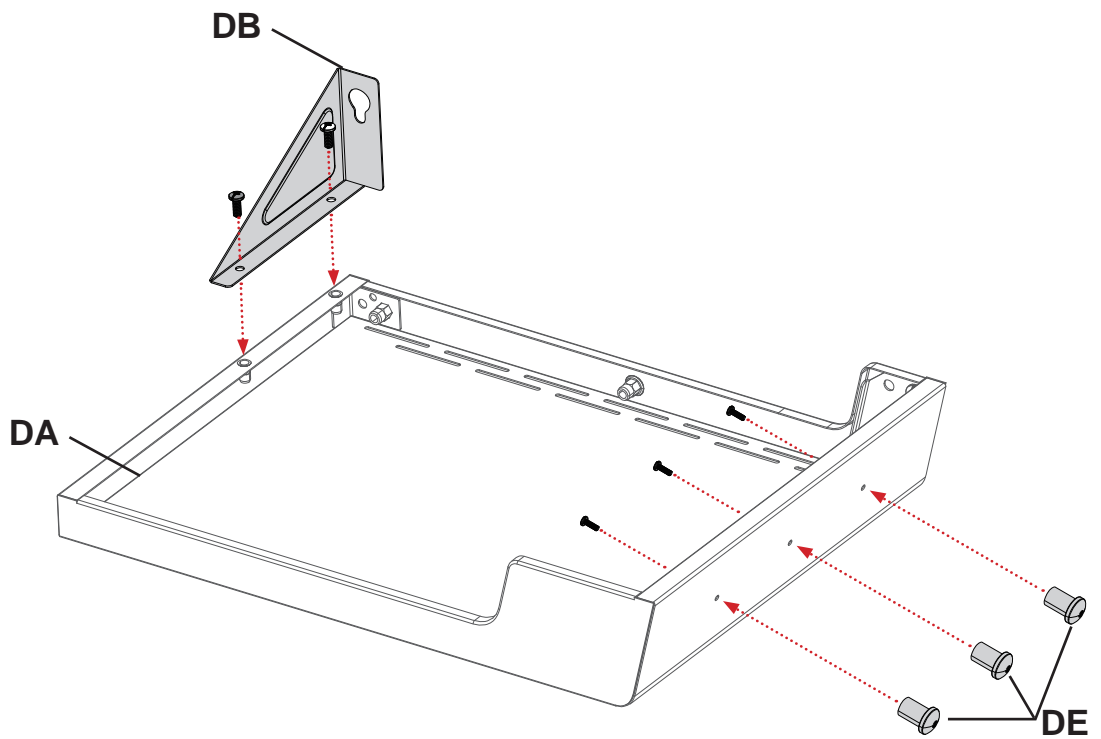
Attention: Feed the ignition button wires (CD) and side burner electrode wire (DJ) through the opening in the burner box.

19

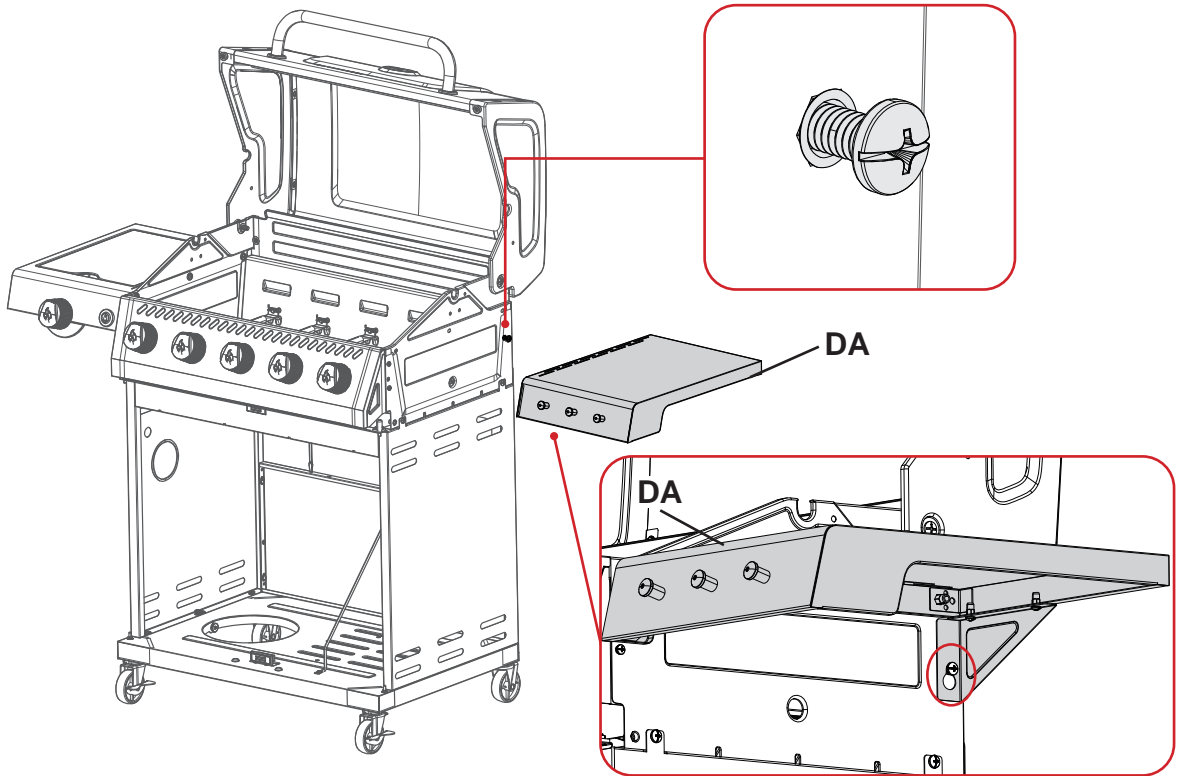
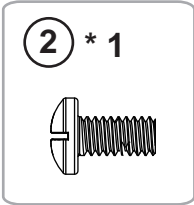


20

- DA * 1**
- DB * 1**
- DE * 3**
- (7) * 3**
- (8) * 2**

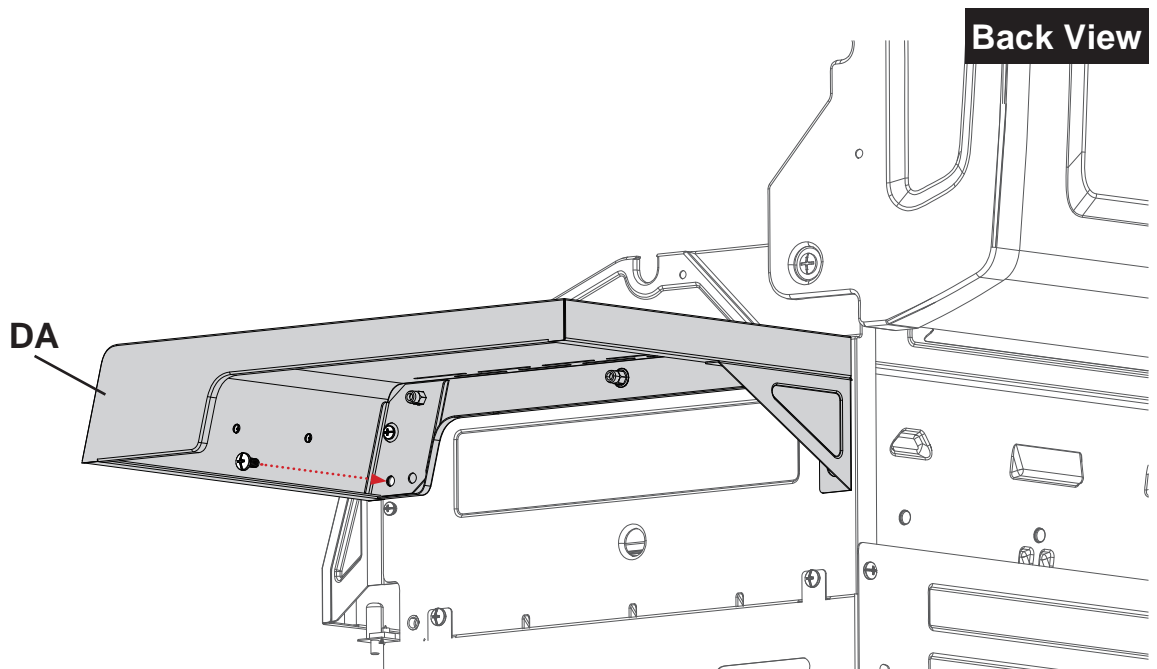
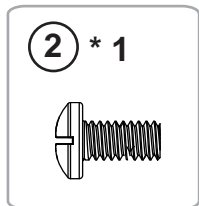


21

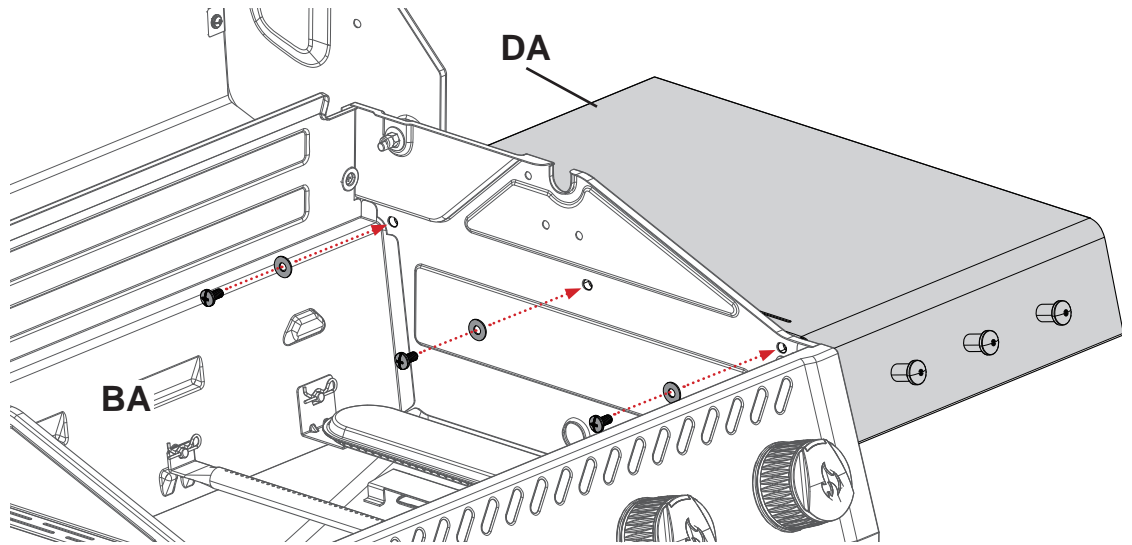
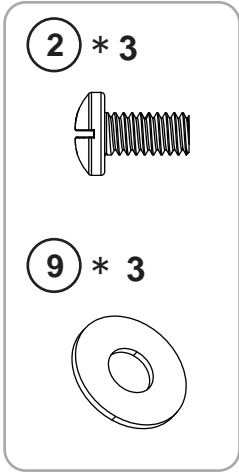


Loosely thread screw ② into the firebox.
 Hang the side table onto the firebox, aligning it with the screw.
 Then fully tighten the screw to secure the table.

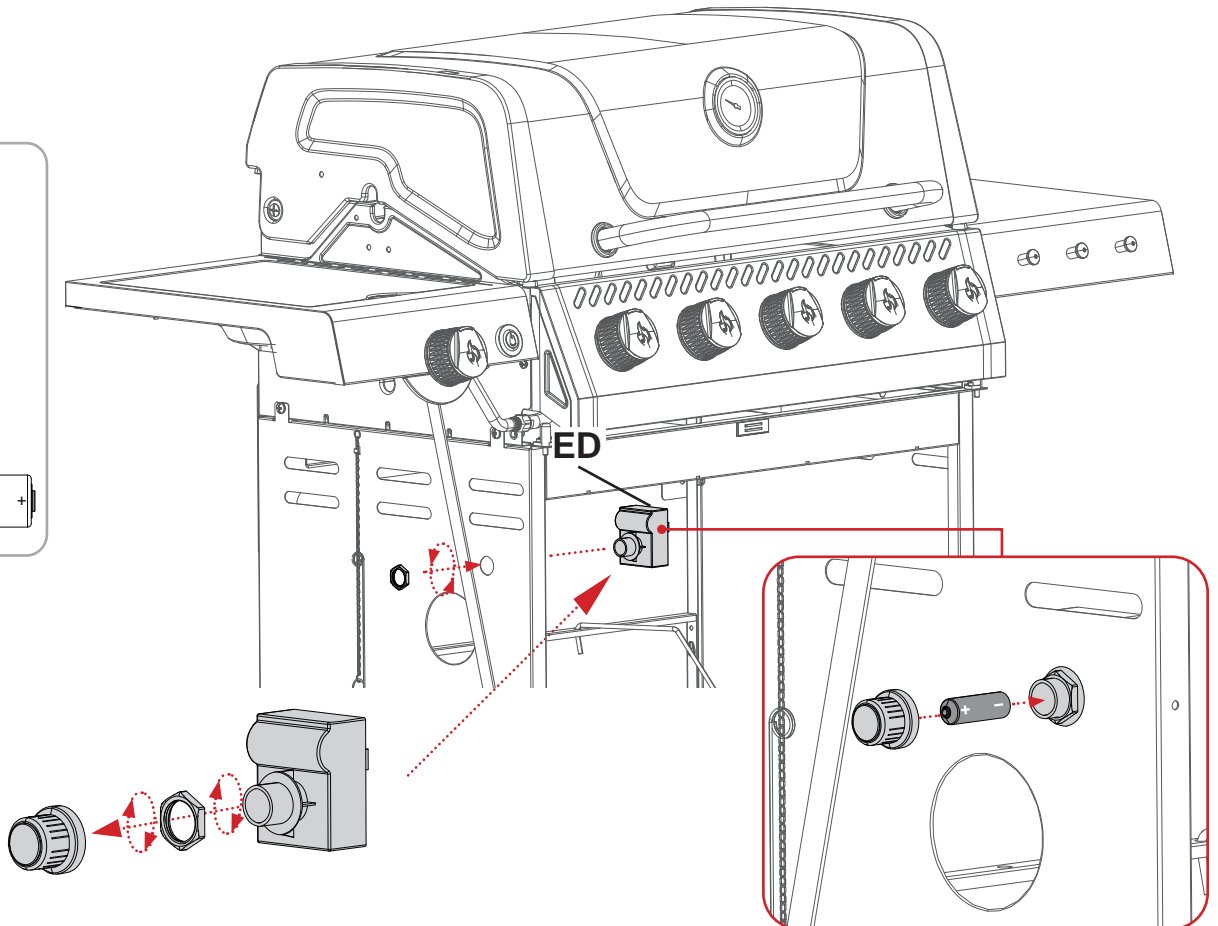
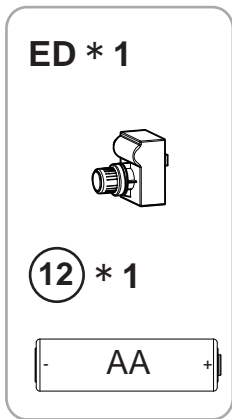
22



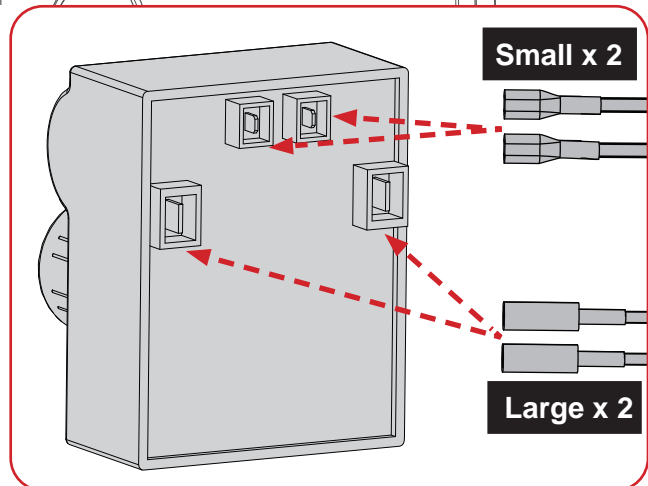
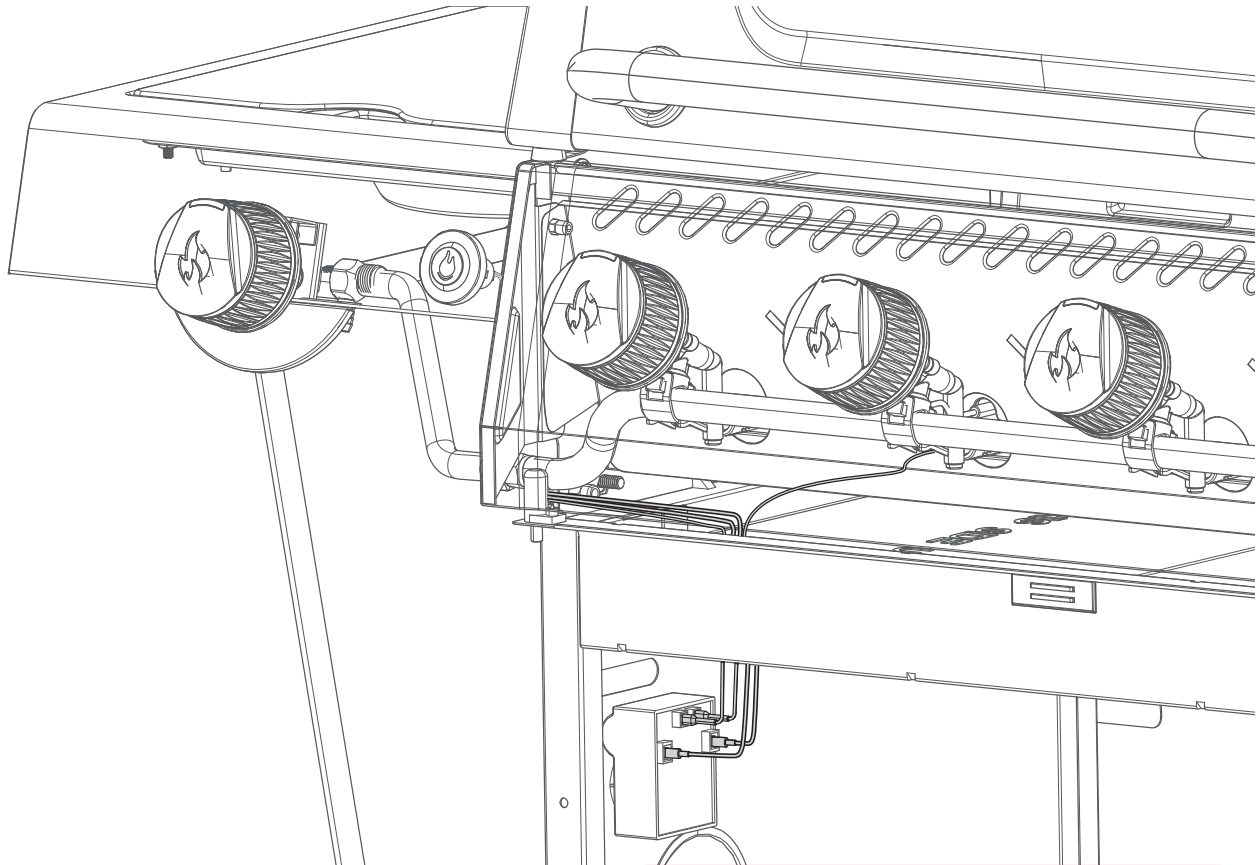
23



24

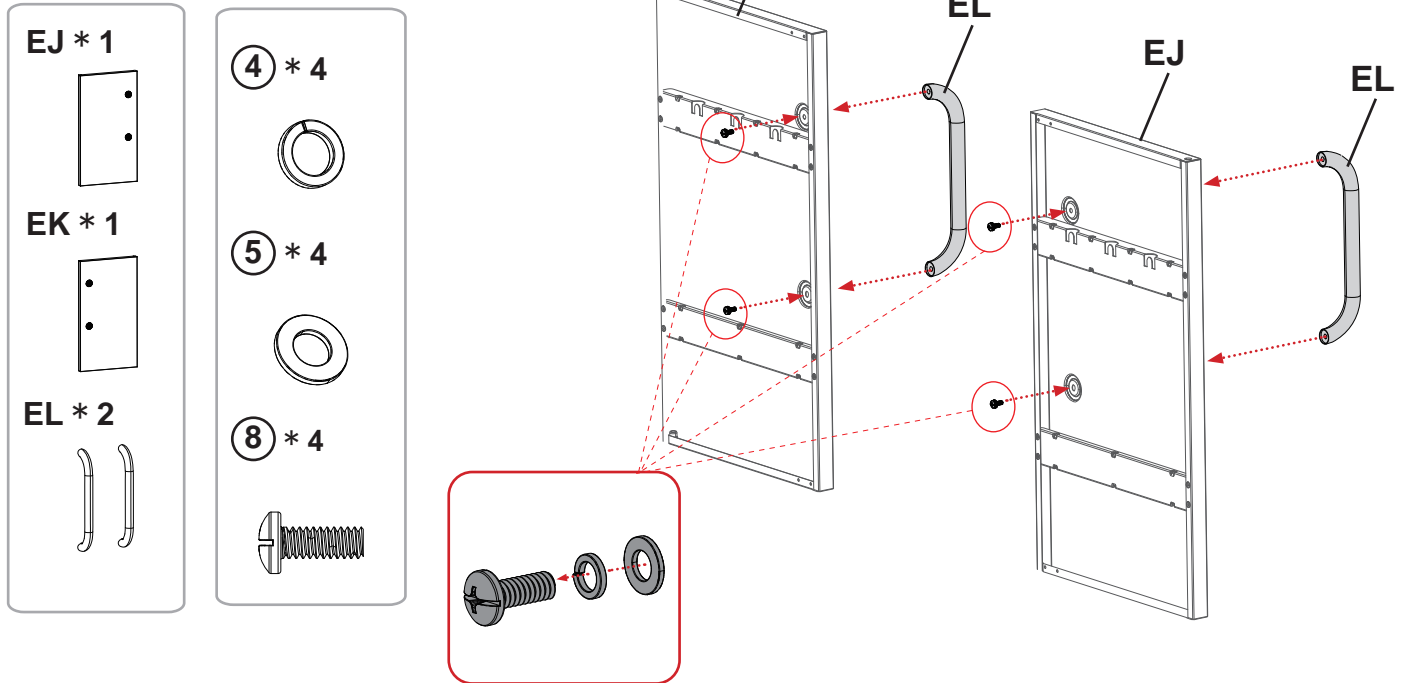


25

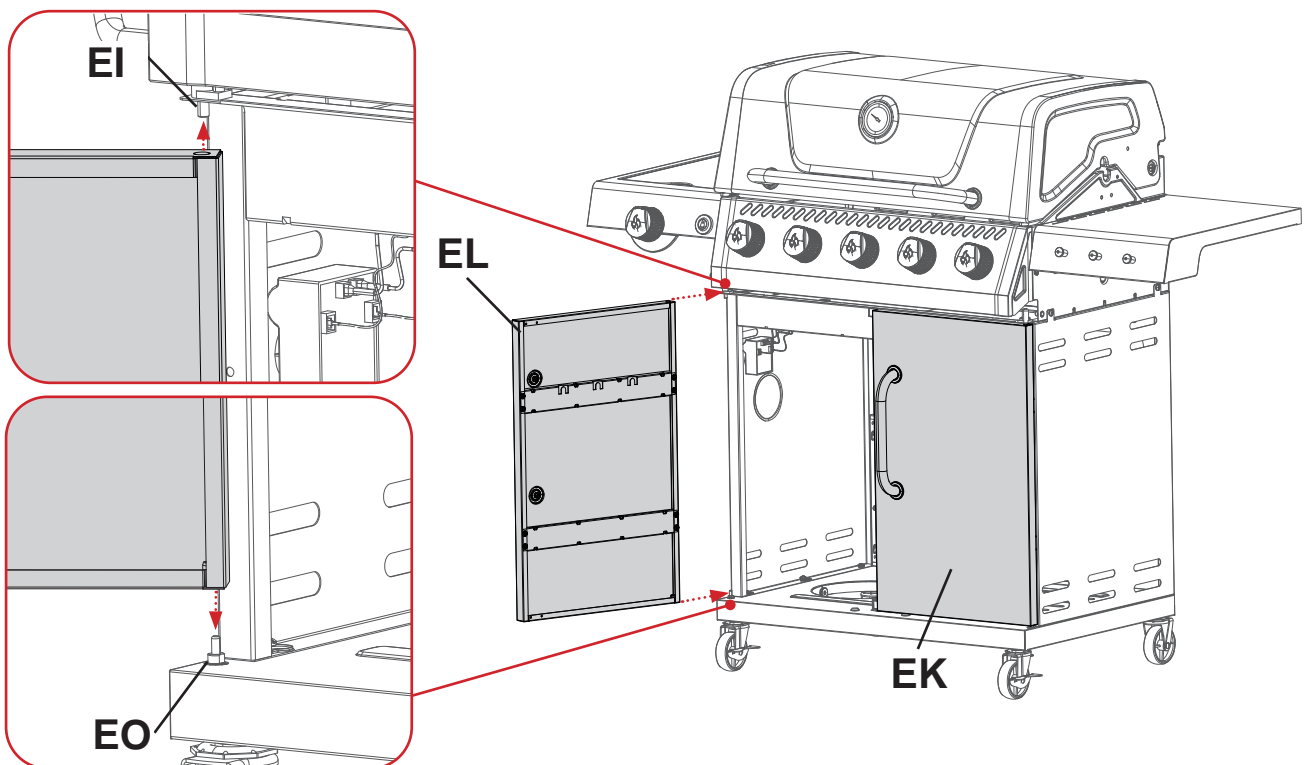


If not visible, the electrode wires can be found behind the control panel.
Tip: Firmly grasp the wires between your thumb and index finger. Insert the wire into the appropriate terminal until a positive connection is made.

26

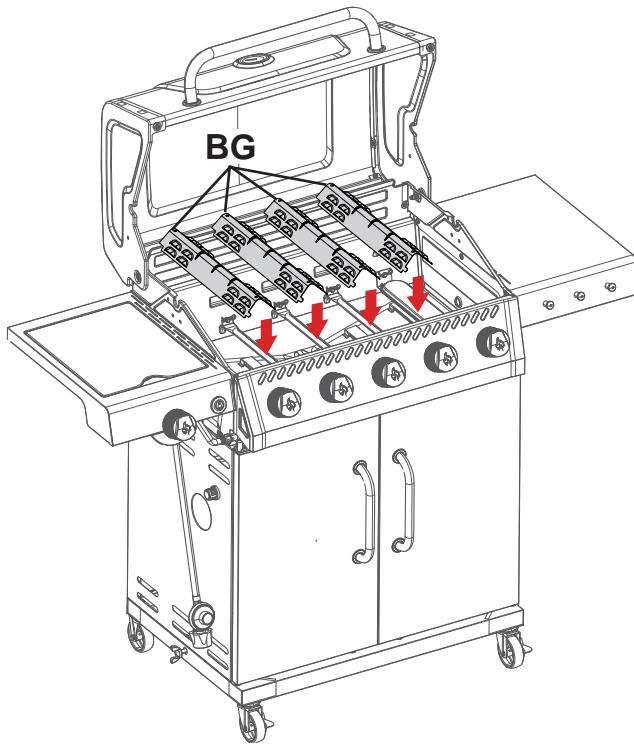


27

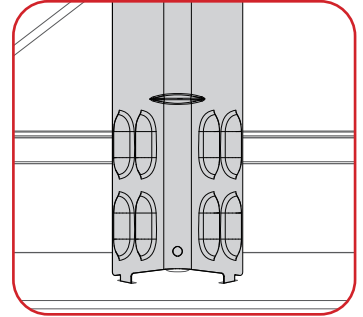
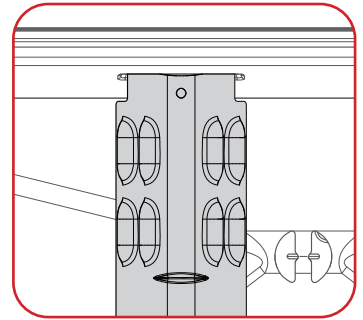


28

BG * 4



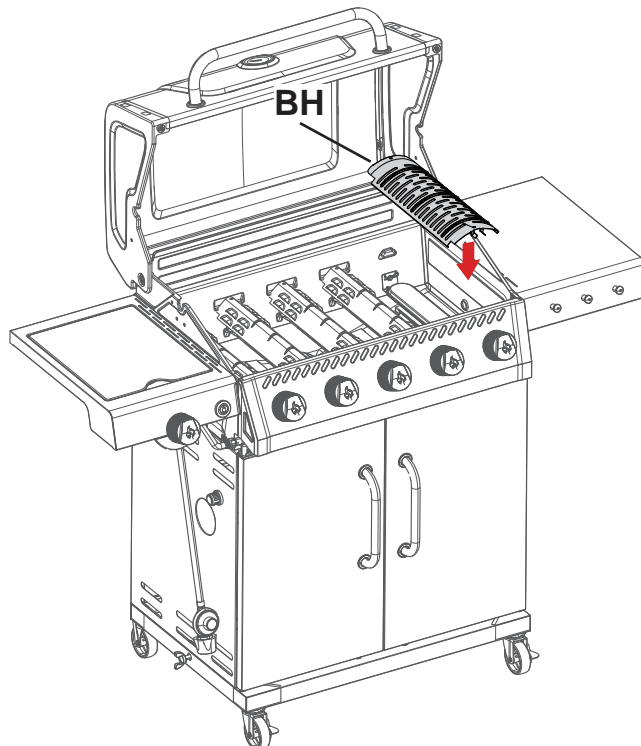
REAR



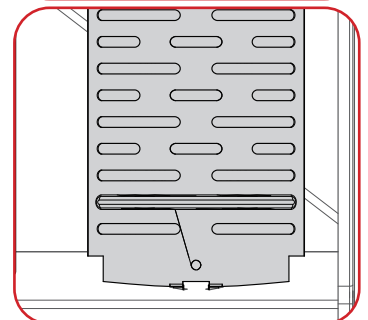
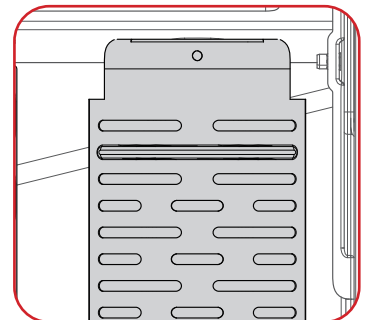
FRONT

29

BH * 1



REAR



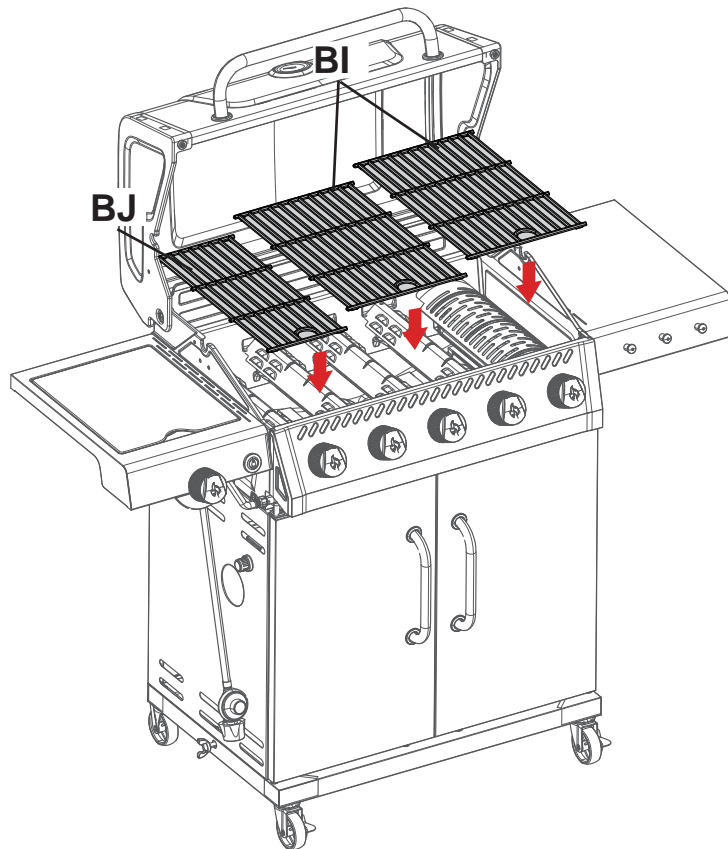
FRONT

30

BI * 2

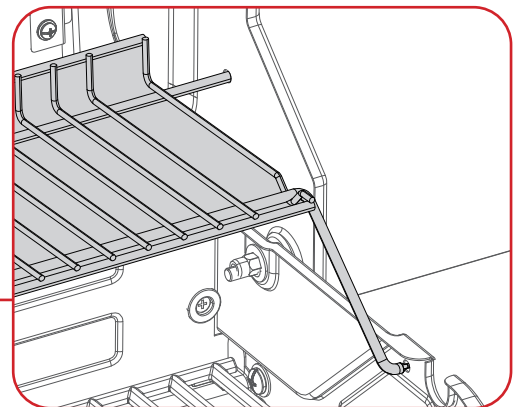
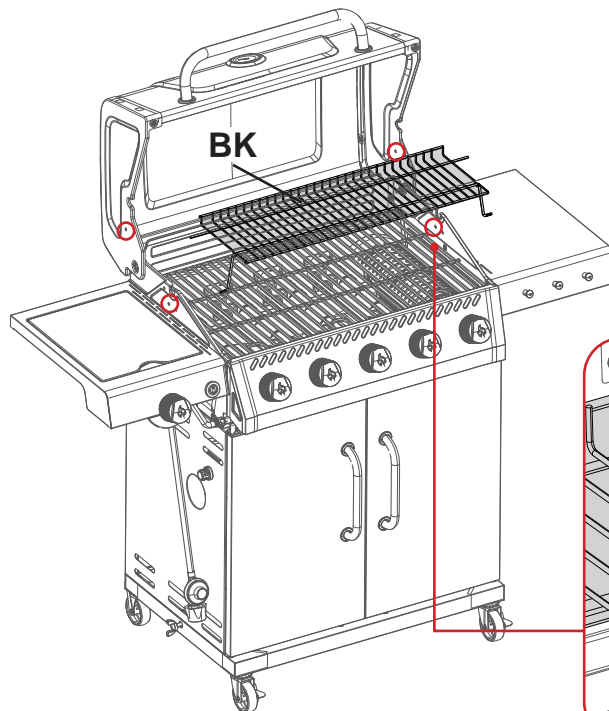


BJ * 1



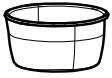
31

BK * 1

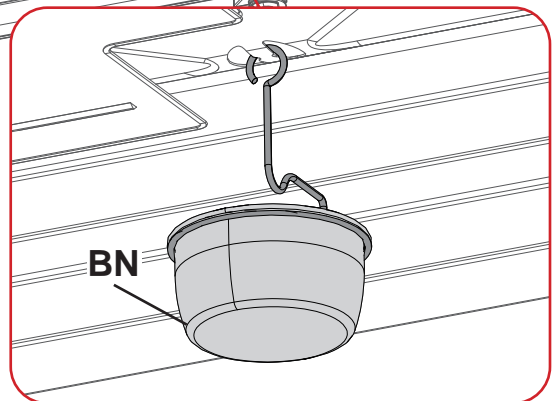
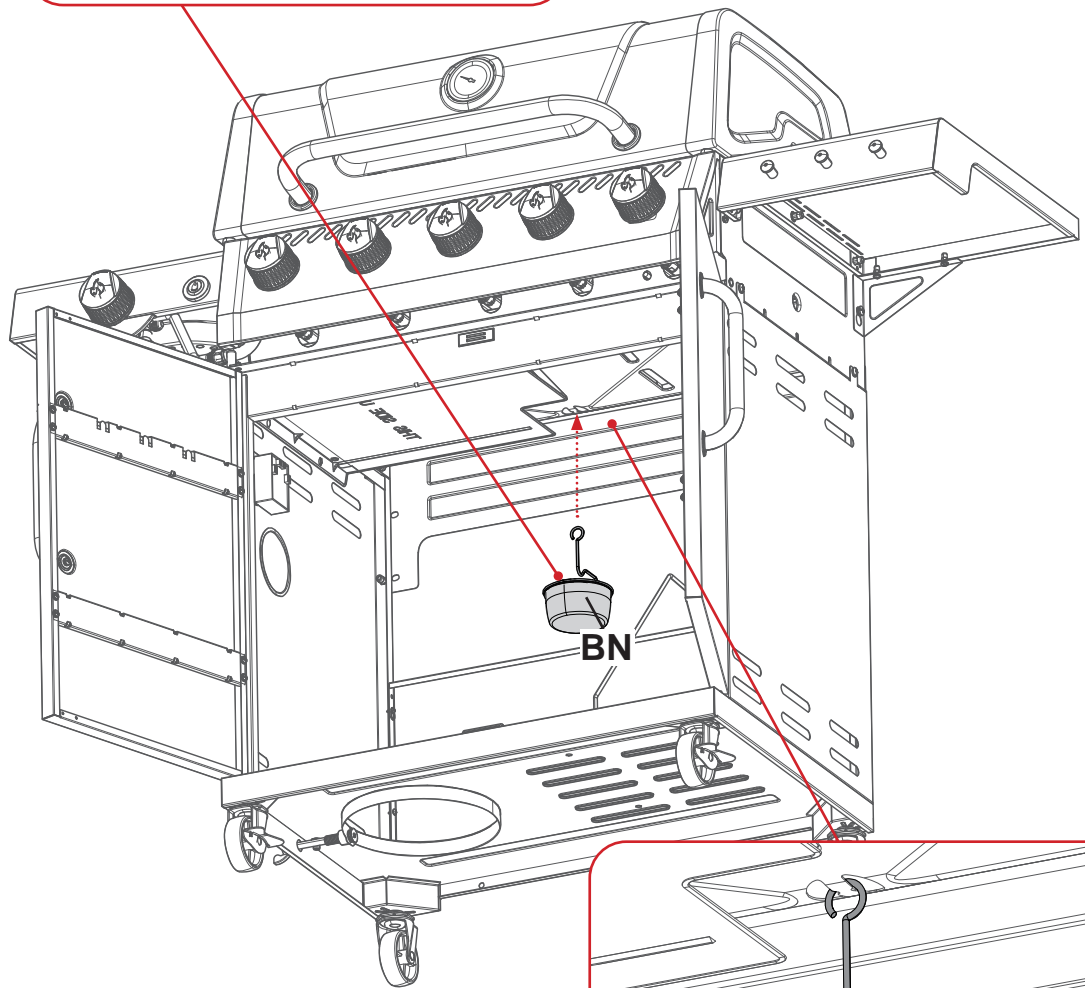
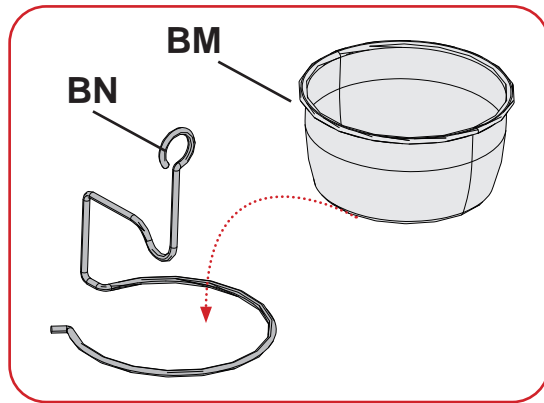


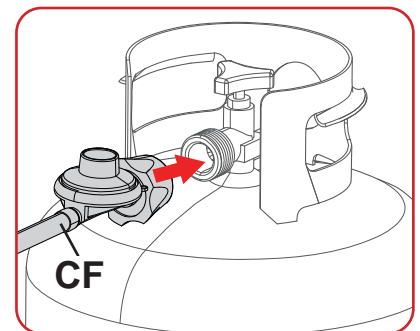
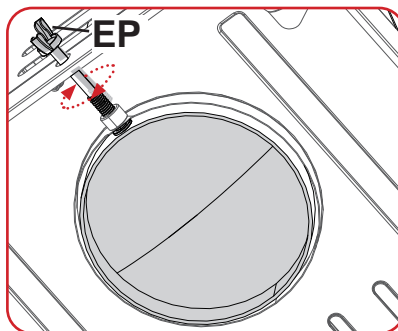
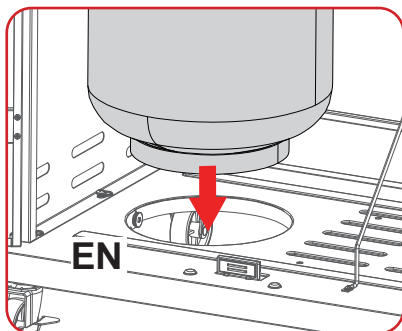
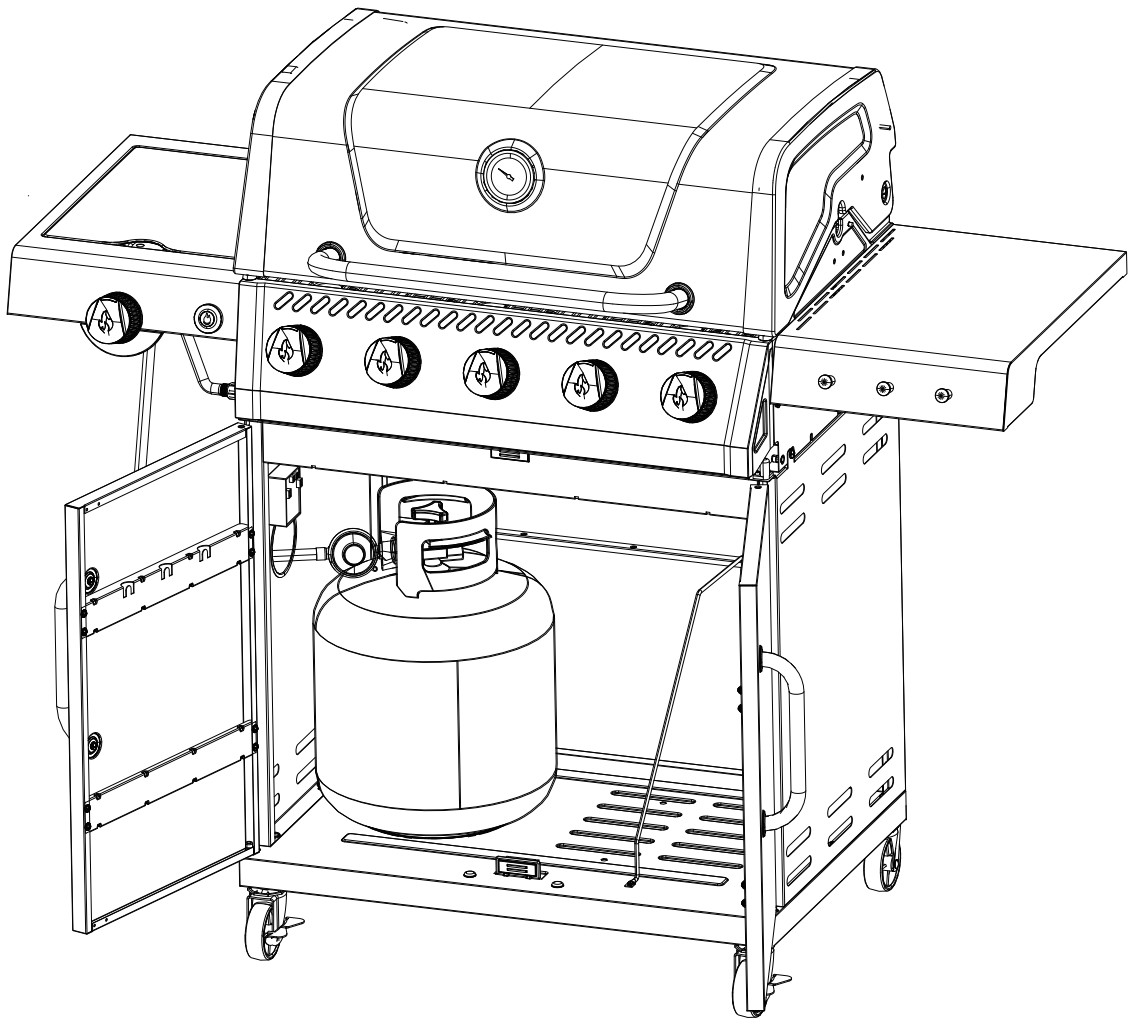
32

BM * 1



BN * 1






ATTENTION:

It is the end users responsibility to complete the necessary safety checks and leak test before attempting to light this grill. Instructions are outlined on page 9 of the Safe Use and Care Manual. Failure to perform the necessary safety checks and leak test could result in a fire, personal injury or property damage.



 service@feastooutdoors.com

 1-470-589-8732

 Mon-Fri, 8:30 AM-5:30 PM, EST

www.feastooutdoors.com